



 Bandalux

# > Aluminum venetian blind

indoor  
installation



## FEATURES

Wide color range

Sunlight management

Different slat widths

Different solutions

## BENEFITS

> Nearly 100 different colors in different finishes: matte, gloss, opalescent and perforated. Simplicity, functionalism and aesthetics in a single shade.

> With a slight movement, this system enables you to regulate the slats, setting them at the desired position. This way, you can control the amount of light that comes into the room, maintaining the privacy inside while still enjoying the views to the outside.

> 15, 25 and 50 mm, for different effects on the entrance of light.

> Affords you different options, including slat color combinations, trims, sloped surfaces, inter-glass shades, motorization, etc.

# LINES OF LIGHT

## Aluminum venetian blind



### Signum 15/25mm



**Cord/wand, chain, crank and motor.**

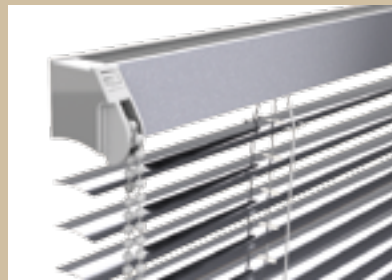
The bottom rail and headrail are available in the same colors as those of the 15/25 mm slats. Bandalux will supply them in matching colors.

#### Brake system with extension roller



It distributes the pressure of the cords and prevents the uneven stacking of the slats.

### Omega 15/25mm



**Chain, crank and motor.**

Specially designed single chain control totally built into the headrail.



Aluminum headrail with plastic upper profile, which reduces the acoustic reverberations of the motor.



Aluminum bottom rail with cord and string ladder fastening clamps hidden in the bottom rail.



**Cable option.** In the open position, the base tensioner is hidden in the bottom rail.

### Classic 50mm



**Cord, chain, crank and motor.**

50 mm aluminum slats that afford great visibility to the outside.

#### Ribbon option

A wide array of ribbons are available, to match or contrast with the 50 mm aluminum slats.

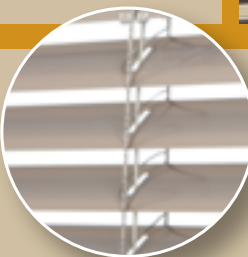


### Wide color range

Nearly 100 different colors in different finishes: matte, gloss, opalescent, etc...



### Maximum precision



The exclusive **Interlacing system** holds the slat in place, keeping it from moving to the sides when activated, hence making it possible to create **irregular shapes**.



### 1 MINIMUM AND MAXIMUM SIZES

Model	Width of slat (mm)	Operation	Shade width		Shade height		Surface		Tolerance % (Width / Height)
			Maximum	Minimum	Maximum	Minimum	Maximum	Minimum	
SIGNUM	15	CORD/WAND	2700mm	350mm	2700mm	250mm	5m <sup>2</sup>	0,1m <sup>2</sup>	±0,2% / ±0,5%
		CHAIN	2500mm	450mm	2500mm	250mm	5m <sup>2</sup>	0,12m <sup>2</sup>	±0,2% / ±0,5%
		CRANK	2500mm	400mm	2500mm	250mm	5m <sup>2</sup>	0,1m <sup>2</sup>	±0,2% / ±0,5%
		MOTOR 24V	2500mm	620mm	2500mm	250mm	4m <sup>2</sup>	0,1m <sup>2</sup>	±0,2% / ±0,5%
	25	CORD	3000mm	350mm	3000mm	250mm	6m <sup>2</sup>	0,1m <sup>2</sup>	±0,2% / ±0,5%
		CHAIN	2500mm	450mm	3000mm	250mm	6m <sup>2</sup>	0,12m <sup>2</sup>	±0,2% / ±0,5%
		CRANK	3000mm	400mm	3000mm	250mm	6m <sup>2</sup>	0,1m <sup>2</sup>	±0,2% / ±0,5%
		MOTOR 24V	2500mm	620mm	3000mm	250mm	4m <sup>2</sup>	0,1m <sup>2</sup>	±0,2% / ±0,5%
OMEGA	15	CHAIN	2700mm	450mm	2700mm	250mm	5m <sup>2</sup>	0,12m <sup>2</sup>	±0,2% / ±0,5%
		CRANK	2500mm	450mm	2500mm	250mm	5m <sup>2</sup>	0,1m <sup>2</sup>	±0,2% / ±0,5%
		MOTOR 24V	2500mm	620mm	2500mm	250mm	4m <sup>2</sup>	0,1m <sup>2</sup>	±0,2% / ±0,5%
	25	CHAIN	2500mm	450mm	3000mm	250mm	6m <sup>2</sup>	0,12m <sup>2</sup>	±0,2% / ±0,5%
		CRANK	3000mm	450mm	3000mm	250mm	6m <sup>2</sup>	0,1m <sup>2</sup>	±0,2% / ±0,5%
		MOTOR 24V	2500mm	620mm	3000mm	250mm	4m <sup>2</sup>	0,1m <sup>2</sup>	±0,2% / ±0,5%
CLASSIC	50	CORD	3000mm	600mm	3500mm	500mm	8m <sup>2</sup>	0,3m <sup>2</sup>	±0,5% / ±0,5%
		CHAIN	3000mm	600mm	3500mm	500mm	8m <sup>2</sup>	0,3m <sup>2</sup>	±0,5% / ±0,5%
		CRANK	3000mm	600mm	3500mm	500mm	8m <sup>2</sup>	0,3m <sup>2</sup>	±0,5% / ±0,5%
		MOTOR 230V	3000mm	660mm	3500mm	500mm	8m <sup>2</sup>	0,3m <sup>2</sup>	±0,5% / ±0,5%

Model	Width of slat (mm)	Operation	Shade width		Highest height of the shade		Width of sloped side	Angle of slope	Surface		Tolerance % (Width / Height)
			Max.	Min.	Max.	Min.			Max.	Min.	
SIGNUM INTERLACING	25	CORD	2000mm	230mm	2300mm	200mm	2500mm	45°	3,8m <sup>2</sup>	0,1m <sup>2</sup>	±0,2% / ±0,5%

### 2 RETRACTION HEIGHT

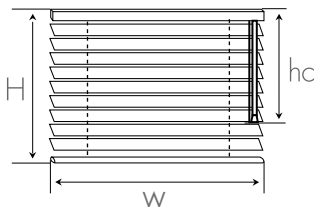
Shade height H	SIGNUM		OMEGA		CLASSIC
	15mm	25mm	15mm	25mm	50mm
300mm	58mm	52mm	68mm	62mm	89mm
800mm	73mm	64mm	83mm	74mm	97mm
1200mm	85mm	79mm	95mm	89mm	103mm
1600mm	96mm	83mm	106mm	93mm	109mm
2000mm	107mm	93mm	117mm	103mm	115mm
2400mm	120mm	103mm	130mm	113mm	122mm
2800mm	132mm	112mm	142mm	122mm	128mm
3000mm	138mm	117mm	148mm	127mm	130mm
3500mm	-	-	-	-	145mm

# Shade > Venetian aluminum

## TECHNICAL DATA



### 3 HEIGHT OF COMMANDS



#### CHAIN-OPERATED, WITHOUT CHILD SAFETY

If the Child Safety feature is declined, the height of the controls will be:

Chain hc
520mm
770mm
1020mm
1270mm
1520mm
1770mm
2020mm
2270mm
2520mm
2770mm
3020mm

#### CORD-OPERATED WITHOUT CHILD SAFETY

If the Child Safety feature is declined, the height of the controls will be:

Cord hc	
Shade height H (mm)	Height of commands hc (mm)
> 1000	Shade height
1001 > 2000	1000
2001 > 2300	1200
2301 > 2600	1500
+ 2601	1800

#### CRANK-OPERATED

Bandalux has the following recommended control heights for cranks:

Crank hc
1000mm
1250mm
1500mm
1750mm
2000mm
2250mm
2500mm
2750mm
3000mm

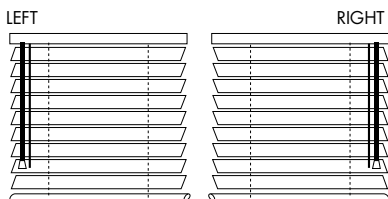
#### CHAIN- OR CORD-OPERATED WITH CHILD SAFETY

The **Child Safety** piece must be positioned at a minimum height of 1,5m from the floor. To calculate the height of commands, see **page 73**.

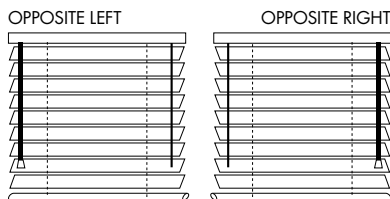
1. Approximate measurements in mm. 2. In the single crank control, the height of the control is interpreted with the crank in the operative position. To obtain the measurement with the crank extended, add 140mm. 3. Indicate on the order form the desired height of the commands. In any case in which the requested height of the controls does not coincide with the measurements of the chart above, the product ordered will be manufactured in the next size down. 4. The height of the controls will always be understood as measured from the uppermost part of the shade (upper end of the headrail).

### SIDE OF CONTROLS

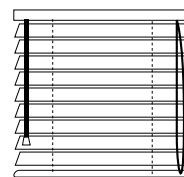
#### CONTROLS TOGETHER



#### SEPARATE CONTROLS



#### CORD ATTACHED TO BOTTOM RAIL



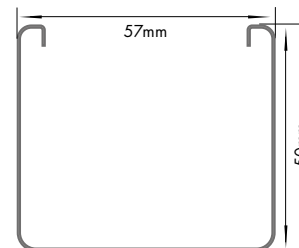
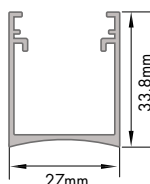
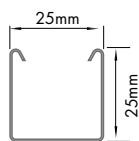
### 4 CROSS-SECTIONAL DRAWING AND HEIGHTS OF THE SUPPORTS OF EACH SYSTEM

#### SIGNUM SYSTEM 15 / 25 mm

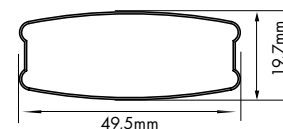
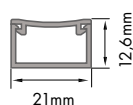
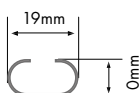
#### OMEGA SYSTEM 15 / 25 mm

#### CLASSIC SYSTEM 50 mm

CROSS-SECTION OF HEADRAIL



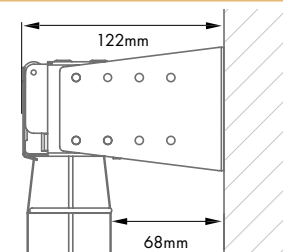
CROSS-SECTION OF BOTTOM RAIL



CROSS-SECTION OF BRACKET

N/A

N/A

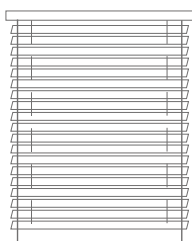




### 5 NUMBER OF SUPPORTS ACCORDING TO SHADE WIDTH

SIGNUM AND OMEGA 15 / 25mm				CLASSIC SYSTEM 50 mm				
WIDTH W	1400 - 1499mm	1500 - 2499mm	2500 - 3000mm	WIDTH W	600 - 1000mm	1001 - 1750mm	1751 - 2500mm	2501 - 3000mm
HEIGHT H Between 250 and 1999mm	2 supports	3 supports	4 supports	HEIGHT H Between 500 and 2249mm	2 supports	3 supports	4 supports	5 supports
HEIGHT H Between 2000 and 3000mm	3 supports	4 supports	5 supports	HEIGHT H Between 2250 and 3500mm	3 supports	4 supports	5 supports	6 supports

### 6 CHANNEL OPTIONS

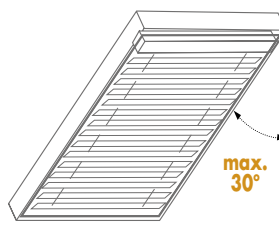


#### VERTICAL CHANNEL (available in 15, 25 and 50mm)

The side channeling is carried out through two tensed cables with the blind in the vertical position. The cable can be made of steel  $\varnothing$  1,5mm (for slats measuring 15, 25 and 50mm) or nylon  $\varnothing$  1,2mm (for slats measuring 15 and 25mm).

#### Limits for nylon channel:

	15mm	25mm
MAXIMUM HEIGHT	2500mm	2500mm
MAX. SURFACE	5m <sup>2</sup>	5m <sup>2</sup>



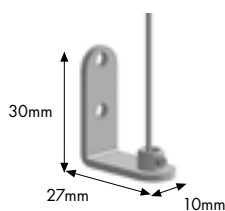
#### SLOPED CHANNEL (available in 15 and 25mm)

This option enables the shade to be installed on a sloped plane. The shade is guided by tensioned steel cables measuring  $\varnothing$  1.5 mm or by nylon cables measuring  $\varnothing$  1.2 mm.

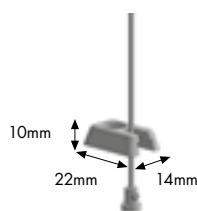
**IMPORTANT:** a third central cable is added for 15mm slats with widths of 1100mm or more, and for 25mm slats with widths of 1300mm or more. All installed cables will be in view when the shade is drawn.

### FASTENING THE CABLES

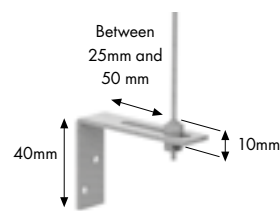
Both the vertical channel option and the sloped channel option have the following types of cable fastening systems.



Front bracket  
15/25mm



Tensioner base  
15/25mm



Adjustable front bracket  
50mm

**Notes:** This option includes a spring in the upper section of the cable, to maintain the cable tension at all times, once installed. The anchoring of the channeling generates a tension between the cable and the ceiling. For this reason, these options can only be installed in ceilings with previously checked and guaranteed resistance.

### 7 INFORMATION ON AVAILABLE MOTORS

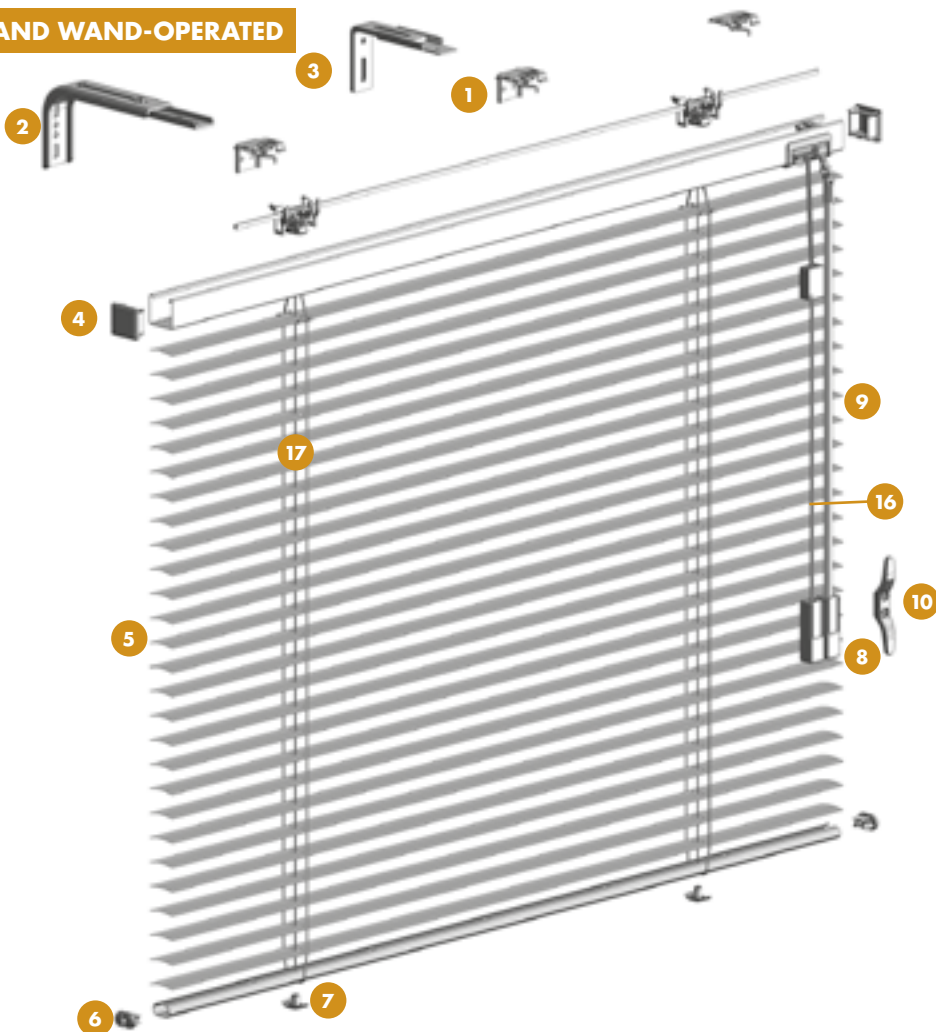
TYPE	MODEL	$\varnothing$ mm	Nm.	r.p.m.	power (W)
SOMFY CABLE 24V	LV 25 0,6/35 LATERAL	24	0,6	35	14
SOMFY CABLE 230V	MARS 40 9/14	40	9	14	100
SOMFY CABLE 230V SILENT	SONESSE 40 9/12	40	9	12	120
SOMFY RTS SILENT	RTS SONESSE 40 9/12	40	9	12	120
BANDALUX CABLE 230V	CABLE 40 10/12	40	10	12	121
BANDALUX RADIO	RADIO 40 10/12	40	10	12	121

# Shade > Venetian aluminum

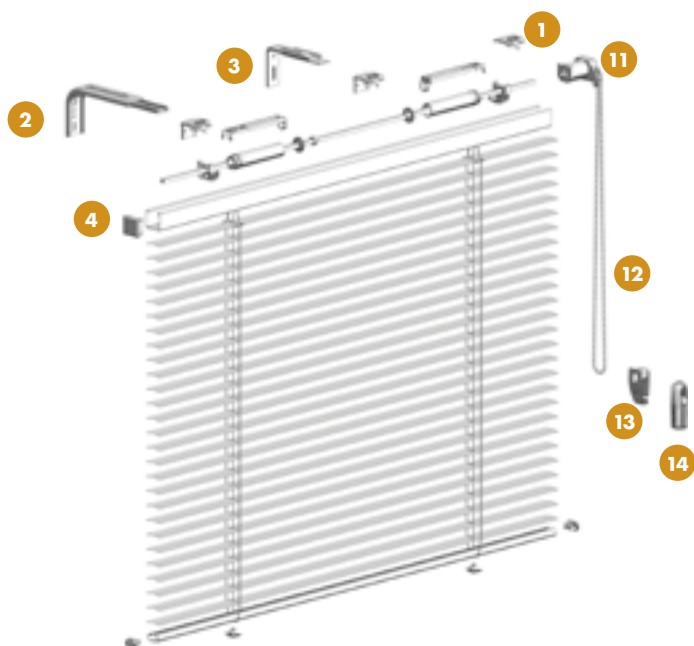
## SPARE PARTS



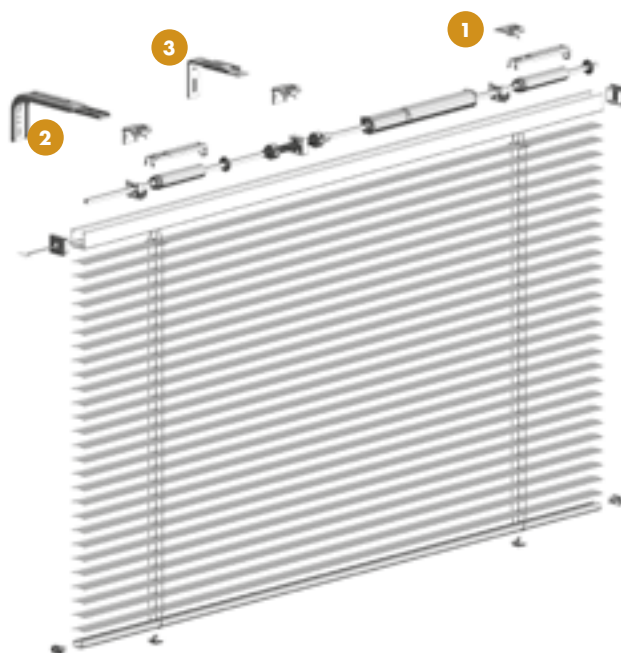
### SIGNUM, CORD- AND WAND-OPERATED



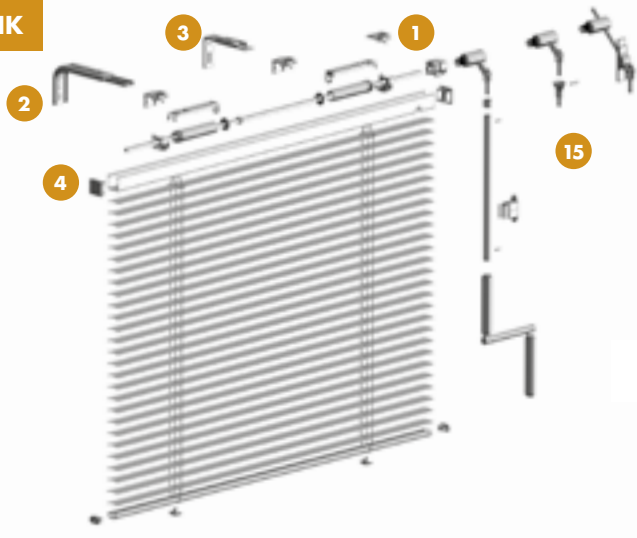
### SIGNUM CHAIN



### SIGNUM MOTOR



### SIGNUM CRANK



<b>1</b>	02405012	Wall/ceiling support
<b>2</b>	01488201	Reinforced bracket with extension from 14 to 23 cm, white
	01488203	Reinforced bracket with extension from 14 to 23 cm, brown
	01488205	Reinforced bracket w/ ext. from 14 to 23 cm, galvanized
	01488207	Reinforced bracket with extension from 14 to 23 cm, black
	01488209	Reinforced bracket with extension from 14 to 23 cm, ivory
<b>3</b>	02405022	Bracket with extension from 6 to 9,5 cm, galvanized
	02405025	Bracket with extension from 6 to 9,5 cm, white
	02405021	Bracket with extension from 13 to 16 cm, galvanized
	02405026	Bracket with extension from 13 to 16 cm, white
<b>4</b>	02418PXXX	Headrail end plug
<b>5</b>	0211XXX	Die-cut slat 15 mm
	0212XXX	Die-cut slat 25 mm
<b>6</b>	02406PXXX	Bottom rail end plug
<b>7</b>	02404NXXX	String ladder cap
<b>8</b>	02409PC01	Bandalux glass knob, white
	02409PC02	Bandalux glass knob, black
	02409PXXX	Indoor knob
<b>9</b>	02413P106	Turning wand 0,5m
	02413P105	Turning wand 0,8m
	02413P104	Turning wand 1,0m
	02413P103	Turning wand 1,2m
	02413P102	Turning wand 1,5m
	02413P101	Turning wand 1,8m
	02413P100	Turning wand 3,5m
<b>10</b>	06800103	Safety cleat - Child Safety
<b>11</b>	02464750B	Machine single chain control, white D
	02464751B	Machine single chain control, white I
	02464770B	Machine single chain control, grey D
	02464771B	Machine single chain control, grey I
	02464760B	Machine single chain control, black D
	02464761B	Machine single chain control, black I
<b>12</b>	05460049	Plastic chain ring ø4,5x6mm separation 1m white*
	05460047	Plastic chain ring ø4,5x6mm separation 1,5m white*
	05460040	Plastic chain ring ø4,5x6mm separation 2m white*
	05460041	Plastic chain ring ø4,5x6mm separation 2,5m white*
	05460042	Plastic chain ring ø4,5x6mm separation 3m white*
	05460043	Plastic chain ring ø4,5x6mm separation 3,5m white*
	05460044	Plastic chain ring ø4,5x6mm separation 4m white*
	05460048	Plastic chain ring ø4,5x6mm separation 4,5m white*
	05460045	Plastic chain ring ø4,5x6mm separation 5m white*
	05460050	Plastic chain ring ø4,5x6mm separation 5,5m white*
	05460046	Plastic chain ring ø4,5x6mm separation 6m white*
<b>13</b>	05402420	Child Safety tensioner
<b>14</b>	05400360	Chain tensioner, white
	05400361	Chain tensioner, black
	05400362	Chain tensioner, grey
<b>15</b>	0205004X	Fixed crank kit, Venetian 15 mm/25 mm to 160 cm
	0205004X	Fixed crank kit, Venetian 15 mm/25 mm 161-240 cm
	0205004X	Fixed crank kit, Venetian 15 mm/25 mm 241-300 cm
	0205004X	Fixed crank kit, Venetian 15 mm/25 mm 301-360 cm
	0205005X	Detachable crank kit, Venetian 15 mm/25 mm up to 160 cm
	0205005X	Detachable crank kit, Venetian 15 mm/25 mm 161-240 cm
	0205005X	Detachable crank kit, Venetian 15 mm/25 mm 241-300 cm
	0205005X	Detachable crank kit, Venetian 15 mm/25 mm 301-360 cm
<b>16</b>	02484XXX	Cord 2,8mm
<b>17</b>	02408XXX	Cord 1,4mm

①. XXX: Complete the codes according to the color in the General Catalogue.

②. \*Other available colors: grey and black.

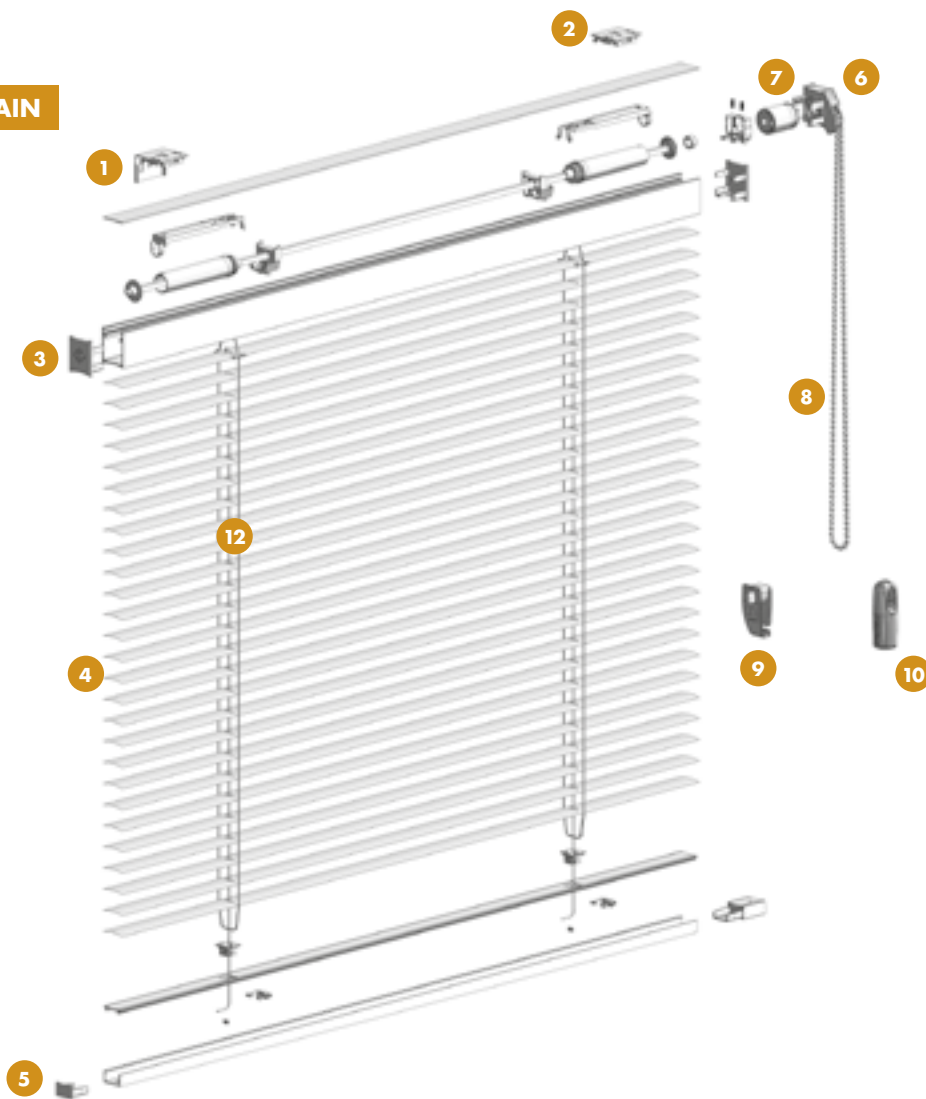
③. X: 0 (grey), 1 (black), 2 (white).

# Shade > Venetian aluminum

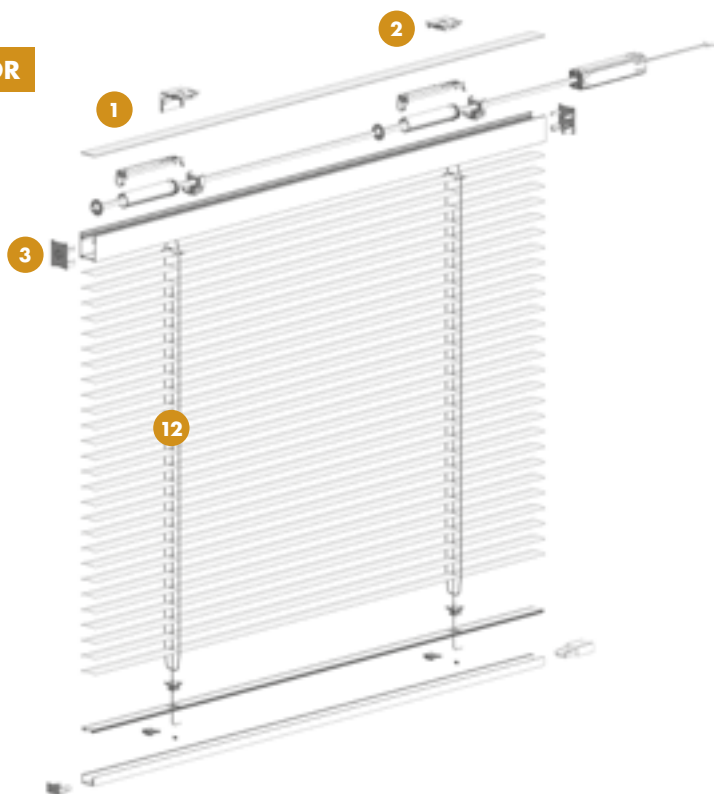
## SPARE PARTS



### OMEGA CHAIN

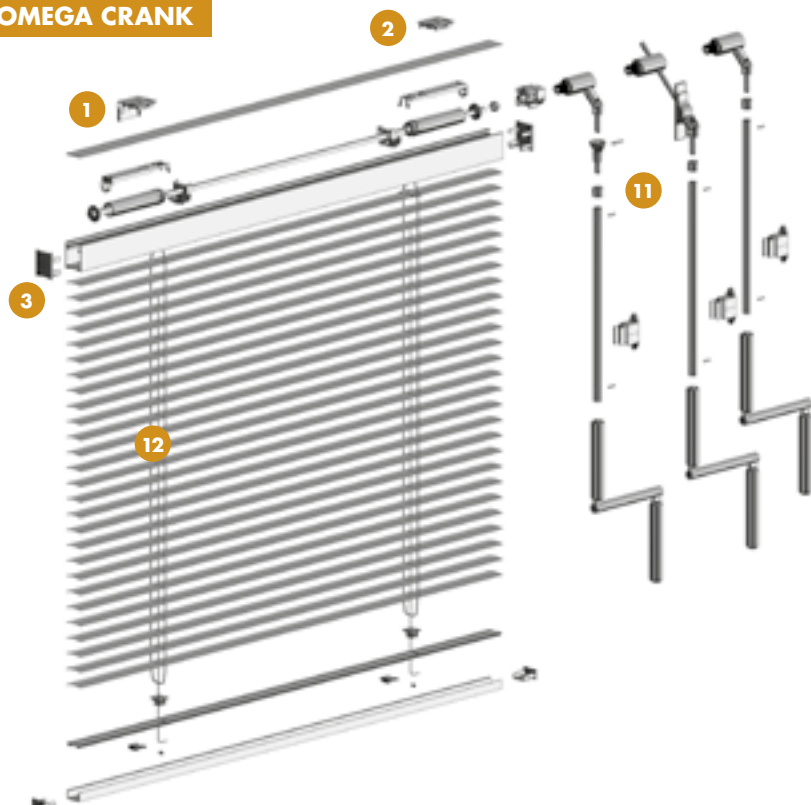


### OMEGA MOTOR





OMEGA CRANK



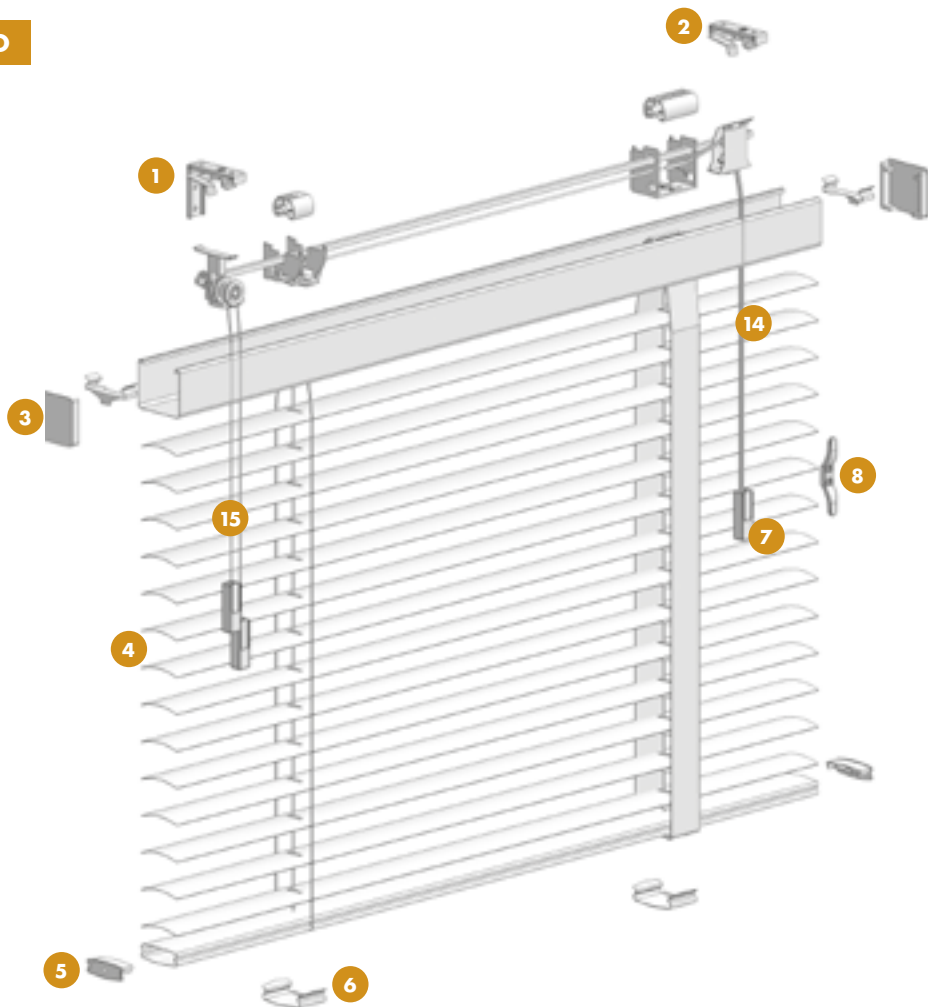
<b>1</b>	024056012	Wall / ceiling support Omega	<b>8</b>	05460041	Plastic chain ring ø4,5x6mm separation 2,5m white*
<b>2</b>	024056001	Ceiling support Omega		05460042	Plastic chain ring ø4,5x6mm separation 3m white*
<b>3</b>	024186205	Headrail end plug Omega white satin		05460043	Plastic chain ring ø4,5x6mm separation 3,5m white*
	024186233	Headrail end plug Omega black satin		05460044	Plastic chain ring ø4,5x6mm separation 4m white*
	024186034	Headrail end plug Omega aluminum		05460048	Plastic chain ring ø4,5x6mm separation 4,5m white*
	024186112	Headrail end plug Omega alabaster		05460045	Plastic chain ring ø4,5x6mm separation 5m white*
<b>4</b>	0211XXX	Die-cut slat 15 mm		05460050	Plastic chain ring ø4,5x6mm separation 5,5m white*
	0212XXX	Die-cut slat 25 mm		05460046	Plastic chain ring ø4,5x6mm separation 6m white*
<b>5</b>	024066205	Bottom rail end plug Omega white satin	<b>9</b>	05402420	Child Safety tensioner
	024066233	Bottom rail end plug Omega black satin	<b>10</b>	05400360	Chain tensioner, white
	024066034	Bottom rail end plug Omega aluminum		05400361	Chain tensioner, black
	024066112	Bottom rail end plug Omega alabaster		05400362	Chain tensioner, grey
<b>6</b>	024646D205	Machine single chain control Omega white satin D		05400364	Chain tensioner ivory
	024646I205	Machine single chain control Omega white satin I	<b>11</b>	0205004X	Fixed crank kit, Venetian 15 mm/25 mm to 160 cm
	024646D233	Machine single chain control Omega black satin D		0205004X	Fixed crank kit, Venetian 15 mm/25 mm 161-240 cm
	024646I233	Machine single chain control Omega black satin I		0205004X	Fixed crank kit, Venetian 15 mm/25 mm 241-300 cm
	024646D034	Machine single chain control Omega aluminum D		0205004X	Fixed crank kit, Venetian 15 mm/25 mm 301-360 cm
	024646I034	Machine single chain control Omega aluminum I		0205005X	Detachable crank kit, Venetian 15 mm/25 mm up to 160 cm
	024646D112	Machine single chain control Omega alabaster D		0205005X	Detachable crank kit, Venetian 15 mm/25 mm 161-240 cm
	024646I112	Machine single chain control Omega alabaster I		0205005X	Detachable crank kit, Venetian 15 mm/25 mm 241-300 cm
<b>7</b>	02464700	Support for crank machine 1:4.8		0205005X	Detachable crank kit, Venetian 15 mm/25 mm 301-360 cm
<b>8</b>	05460049	Plastic chain ring ø4,5x6mm separation 1m white*	<b>12</b>	02408XXX	Cord 1,4mm
	05460047	Plastic chain ring ø4,5x6mm separation 1,5m white*			
	05460040	Plastic chain ring ø4,5x6mm separation 2m white*			

① 1. XXX: Complete the codes according to the color in the General Catalogue.  
 2. \*Other available colors: grey and black.  
 3. X: 0 (grey), 1 (black), 2 (white).

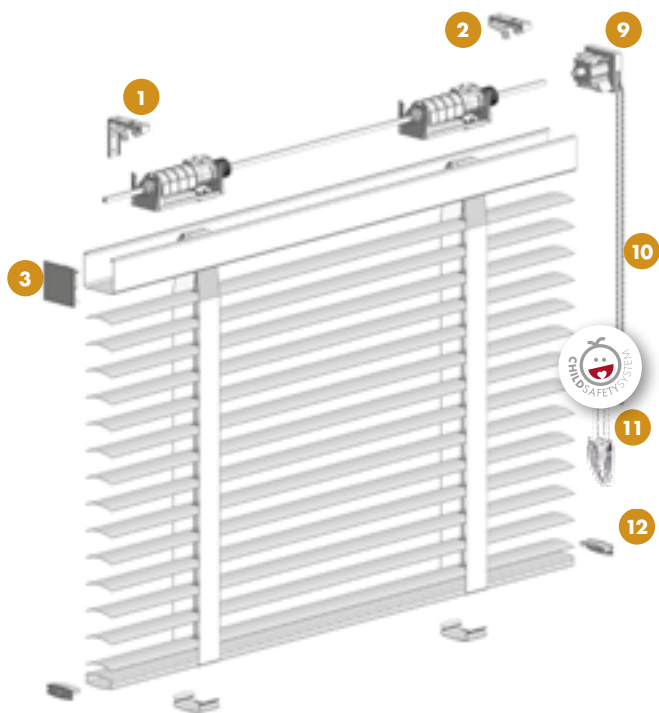
# Shade > Venetian aluminum

## SPARE PARTS

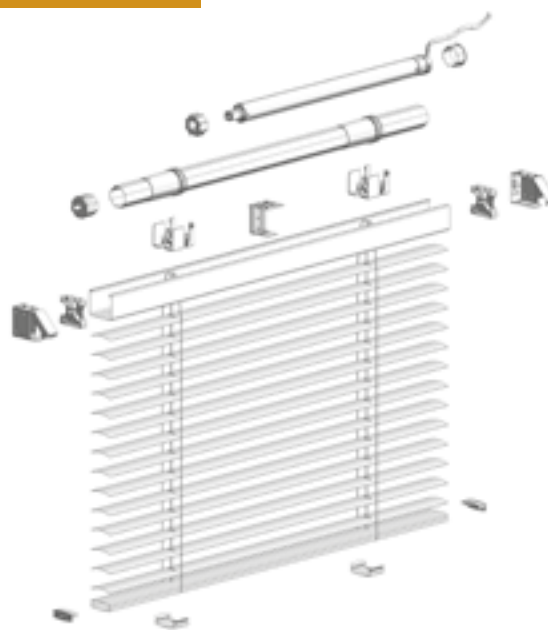
### CLASSIC CORD



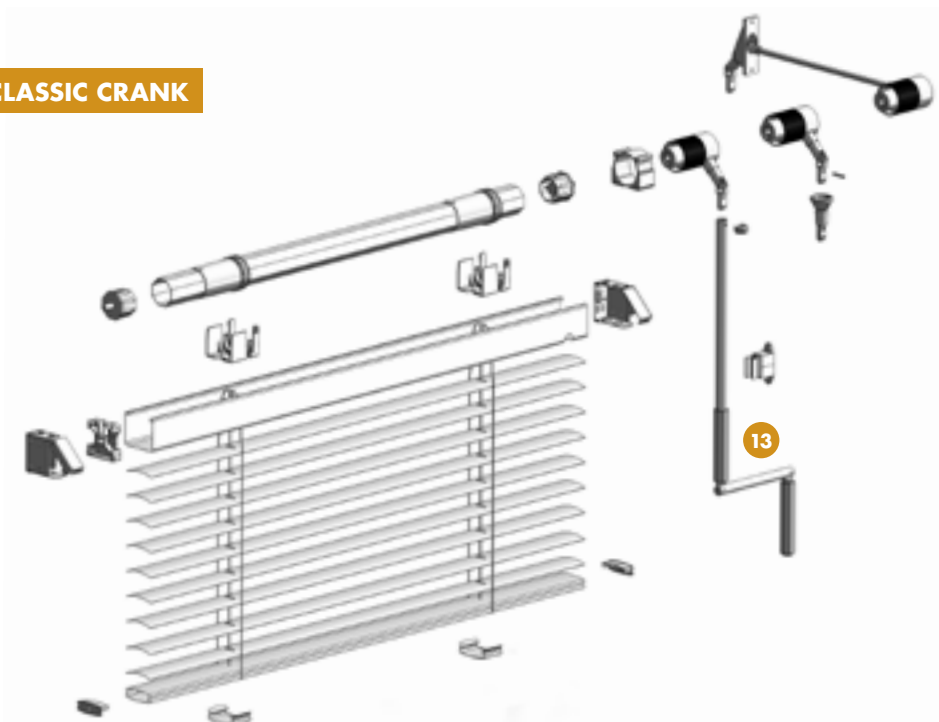
### CLASSIC CHAIN



### CLASSIC MOTOR



CLASSIC CRANK



- |    |           |  |
|----|-----------|--|
| 1  | 024883000 | Wall/ceiling support                               |
| 2  | 024883005 | Ceiling support                                    |
| 3  | 024870100 | Headrail end plug, colorless                       |
| 4  | 02057XXX  | Die-cut slat 50 mm                                 |
| 5  | 024870210 | Bottom rail end plug, colorless                    |
| 6  | 02486XXX  | Metallic fastening, ribbon                         |
| 7  | 02409PC01 | Bandalux glass knob white                          |
|    | 02409PC02 | Bandalux glass knob black                          |
|    | 02409PXXX | Indoor knob  |
| 8  | 06800103  | Safety cleat - Child Safety                        |
| 9  | 024800302 | Chain mechanism 1:7 black                          |
|    | 024800301 | Chain mechanism 1:7 grey                           |
|    | 024800300 | Chain mechanism 1:7 white                          |
| 10 | 05460049  | Plastic chain ring ø4,5x6mm separation 1m white*   |
|    | 05460047  | Plastic chain ring ø4,5x6mm separation 1,5m white* |
|    | 05460040  | Plastic chain ring ø4,5x6mm separation 2m white*   |
|    | 05460041  | Plastic chain ring ø4,5x6mm separation 2,5m white* |
|    | 05460042  | Plastic chain ring ø4,5x6mm separation 3m white*   |
|    | 05460043  | Plastic chain ring ø4,5x6mm separation 3,5m white* |
|    | 05460044  | Plastic chain ring ø4,5x6mm separation 4m white*   |
| 10 | 05460048  | Plastic chain ring ø4,5x6mm separation 4,5m white* |
|    | 05460045  | Plastic chain ring ø4,5x6mm separation 5m white*   |
|    | 05460050  | Plastic chain ring ø4,5x6mm separation 5,5m white* |
|    | 05460046  | Plastic chain ring ø4,5x6mm separation 6m white*   |
| 11 | 05402420  | Child Safety tensioner                             |
| 12 | 05400360  | Chain tensioner, white                             |
|    | 05400361  | Chain tensioner, black                             |
|    | 05400362  | Chain tensioner, grey                              |
| 13 | 0605006X  | Fixed crank kit, Venetian 50 mm to 160 cm          |
|    | 0605006X  | Fixed crank kit, Venetian 50 mm 161-240 cm         |
|    | 0605006X  | Fixed crank kit, Venetian 50 mm 241-300 cm         |
|    | 0605006X  | Fixed crank kit, Venetian 50 mm 301-360 cm         |
|    | 0605007X  | Detachable crank kit, Venetian 50 mm up to 160 cm  |
|    | 0605007X  | Detachable crank kit, Venetian 50 mm 161-240 cm    |
|    | 0605007X  | Detachable crank kit, Venetian 50 mm 241-300 cm    |
|    | 0605007X  | Detachable crank kit, Venetian 50 mm 301-360 cm    |
| 14 | 02484XXX  | Cord 2,8mm   |
| 15 | 02483XXX  | Cord 2mm   |

1. XXX: Complete the codes according to the color in the General Catalogue.

2. \*Other available colors: grey and black.

3. X: 0(grey), 1(white), 2(brown), 3(black), 4(ivory), 5(charcoal).



**3** years  
warranty

The warranty period is **3 years from date of purchase** on original invoice.

## WHAT IS COVERED

- ✓ **Materials.**
- ✓ **Systems and internal mechanisms.**
- ✓ **Components and brackets.**

## WHAT IS NOT COVERED:

- . If the product has not been installed in accordance with the installation instructions.
- . Any conditions caused by normal wear and tear.
- . Accidents, misuse and/or alterations to the product.
- . Exposure to elements such as sun, wind, water and/or humidity and over time discoloration or fading.
- . Shipping charges, cost of removal and/or reinstallation.
- . Measurement variations of height and/or width of the blinds or shade of +/-0.2% or less.
- . Any treatment applied to the product, be it for washing or any other purpose that is not expressly recommended by Bandalux.
- . The proximity of the shades or blinds to abnormal heat sources and/or corrosive chemical that may alter the quality, appearance and presentation of the product, as well as functionality.
- . Damages due to consequences of natural disasters, and/or unforeseeable circumstances.