



Pleated shade

The most adaptable shade, thanks to its minimal stacking space and its multiple installation options (arches, triangles, specially cut surfaces and sloped planes).

	REGULAR MODELS				IRREGULAR MODELS		
	"A"	"B"	"P"	"D"	"A"	"B"	"P"
	For regular windows. (Vertical drop models.)	For regular windows. Maximum slope 15°. (Vertical drop models with cord side channel.)	Designed for skylights and horizontal windows. Maximum slope 90°. (Vertical drop models with cord side channel and central fastening cables.)	Designed for skylight. Maximum slope 60°. (Vertical drop models with cord side channel.)	For irregular windows. (Vertical drop models.)	For irregular windows. Maximum slope 15°. (Vertical drop, with cord side channel.)	Designed for skylights and horizontal windows. Maximum slope 90°. (Vertical drop models with cord side channel and central fastening cables.)
Cord operated system "TYPE O"	AO10, AO13, AO30, AO31, AO20	BO10, BO16, BO20, BO30, BO31, BO35, BO36	-	-	AO40, AO70	BO75	-
Chain operated system TYPE "K"	AK10	BK10, BK16	-	-	-	-	-
Handle operated system "TYPE B"	-	BB10, BB15, BB20, BB24, BB30, BB31, BB35, BB36	PB10, PB15, PB20, PB30, PB31, PB35, PB36	DB10, DB15, DB20, DB30, DB31, DB35, DB36	-	BB40, BB60, BB61, BB65, BB66, BB70, BB71, BB75, BB76, BB80, BB81, BB85, BB86	PB40, PB41, PB45, PB46, PB60, PB61, PB65, PB66, PB70, PB71, PB75, PB76, PB80, PB81, PB85, PB86
Motor operated system "TYPE E"	AE10	BE10, BE16	PE10, PE11, PE15, PE16	-	-	-	-
Fixed (without drive) TYPE "F"	-	-	-	-	-	BF50, BF55, BF51, BF56, BF52	-

Pleated



Versatility

Great adaptability and minimal stacking space make this shade the most versatile. An ideal solution for windows with unusual shapes thanks to its **many different installation options**.

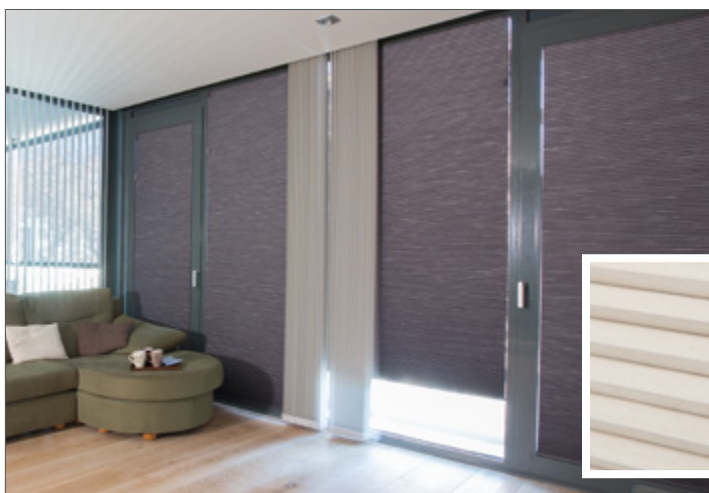
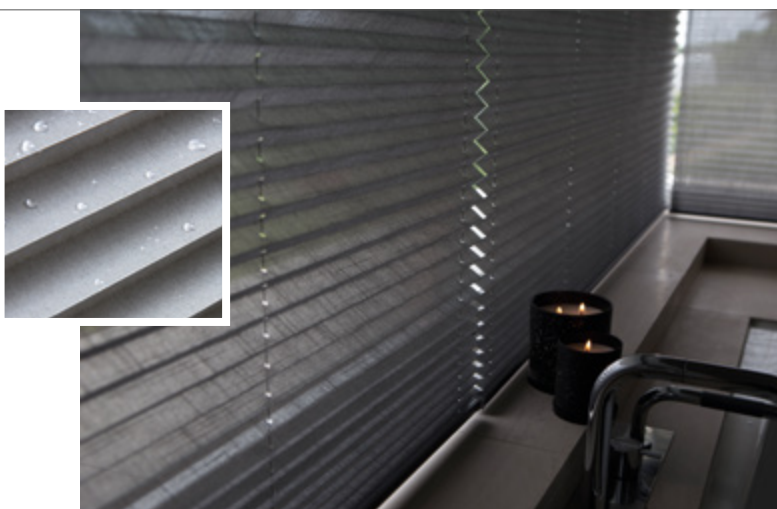
Solar Elegant Wetex[®]

Pleated fabric with **humidity-resistant coating**.

Ideal for damp spots (greenhouses, bathrooms...)

Prevents the growth of mildew due to condensation.

Ecological fabric **free of formaldehydes and halogens**.



Cell

The Cell model is a pleated fabric with inner cell type 'hives' that **ensures maximum opacity** and provides a high thermal performance.

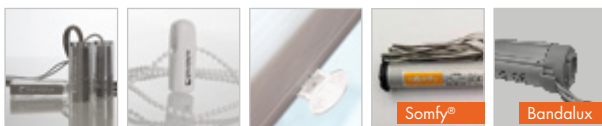


Night & Day

Combination of two fabrics in a single shade to either get a totally dark or a bright environment at any time of the day.

Operating system options

Available with cord, chain, handle and motor operating systems.



When the pleated shade height is not accessible, it can be operated using a telescopic wand (only compatible with the handle option).



Child Safety

Bandalux supplies by default a child safety system that allows the chain to be attached to the wall preventing children from getting entangled in it.

Child Safety chain/cord retainer

It is the standard security device in the market served by default with your shades order.



SafeKids, a new option patented by Bandalux

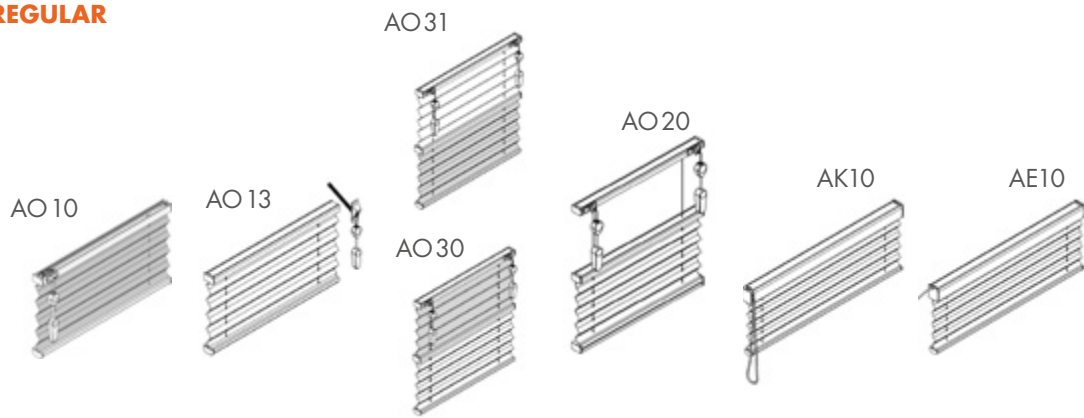
It is highly efficient as it cannot be taken apart or tampered with and guarantees that the chain will not detach from the wall, preventing the risk of strangulation.



“Equipleat” System

Guarantees a perfect and long-lasting fabric tuck.

A MODELS - REGULAR



		AO 10	AO 13 Inter-glass	AO 30 AO 31 Night and Day	AO 20	AK 10	AE 10
STACKING		UPPER	UPPER	UPPER	VARIABLE	UPPER	UPPER
OPERATING SYSTEM		CORD	CORD	CORD	CORD	CHAIN	MOTOR
SHADE WIDTH	Minimum	400mm	400mm	400mm	400mm	400mm	400mm
	Maximum 20 mm fabrics ⁽¹⁾	2300mm	2300mm	2300mm	2300mm	2300mm	2300mm
	Max. 25 mm fabrics ⁽⁴⁾	3600mm	2400mm	3000mm	3600mm	3600mm	4400mm
SHADE HEIGHT	Minimum	100mm	100mm	100mm	100mm	600mm	100mm
	Max. 20 mm fabrics	2600mm	2600mm	2600mm	2600mm	2600mm	2600mm
	Max. 25 mm fabrics ⁽⁴⁾	3000mm	3000mm	3000mm	3000mm	3000mm	3000mm
MAXIMUM SURFACE	Group A	6m ²	6m ²	5m ²	5m ²	8m ²	9m ²
	Group B	5m ²	5m ²	4m ²	4m ²	6m ²	8m ²
	Group C	5m ²	5m ²	4m ²	4m ²	6m ²	7m ²
	Group D	4m ²	4m ²	3m ²	3m ²	5m ²	6m ²
	Group E	3m ²	3m ²	2m ²	3m ²	4m ²	5m ²
OPTIONS, BRACKETS AND COMPONENTS		F1, F2, F3, R1, R2, R3, S1, S3, A1 ⁽²⁾ , B1, M1	F1	F1, F2, F3, R1, R2, R3, S1, S3, A1 ⁽²⁾ , B1, M1	F1, F2, F3, R1, R2, R3, S1, S3, A1 ⁽²⁾ , B1, M1	F1, F2, F3, R1, R2, R3, M1	F1, F2, F3, R1, R2, R3, S1, S3, A1 ⁽³⁾ , M1

⁽¹⁾ Ecovision, Sheer Lines, Solar Elegant Wetex and View Ignis fabrics, maximum width of 2000mm.

⁽²⁾ Maximum width 1280mm.

⁽³⁾ Maximum width 1800mm.

⁽⁴⁾ Cellular BO, Cellular Wash BO, Eterea Cell, Plain Cell and Wash Cell fabrics, maximum height of 2600mm.

FABRICS GROUP A: Bouquet, Camouflage, Change, Coffee, Frankfurt, Future Ignis, Light, New York, Points, Quattrocento, Rose End, Sealed Ignis, Sealed Metal Ignis, Sheer Lines, Toronto.

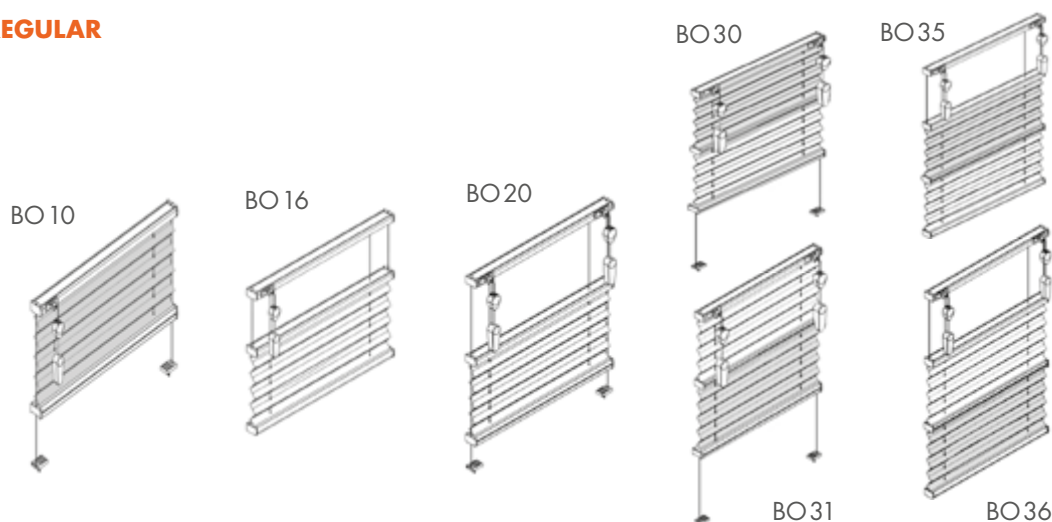
FABRICS GROUP B: Blocks, Denim, Duette Bag, Duette Barcode, Earth, Ecovision, Etamine, Honey, Milan, Must, Neptune, Skyline, Skyline Metal, Solar Elegant Wetex, Tone, View Ignis.

FABRICS GROUP C: Duette BO, Cellular BO, Cellular Wash BO, Wash Cell.

FABRICS GROUP D: Duette BO Ignis.

FABRICS GROUP E: Eterea Cell.

B MODELS - REGULAR



		BO 10	BO 16	BO 20	BO 30 BO 31 Night and Day	BO 35 BO 36 Night and Day
STACKING		UPPER	LOWER	LOWER AND UPPER	UPPER	LOWER
OPERATING SYSTEM		CORD	CORD	CORD	CORD	CORD
SHADE WIDTH	Minimum	400mm	400mm	400mm	400mm	400mm
	Maximum 20 mm fabrics ⁽¹⁾	2300mm	2300mm	2300mm	2300mm	2300mm
	Max. 25 mm fabrics	2400mm	2400mm	2400mm	2400mm	2400mm
SHADE HEIGHT	Minimum	100mm	100mm	100mm	100mm	100mm
	Max. 20 mm fabrics	2600mm	2600mm	2600mm	2600mm	2600mm
	Max. 25 mm fabrics ⁽³⁾	3000mm	3000mm	3000mm	3000mm	3000mm
MAXIMUM SURFACE	Group A	6m ²	6m ²	6m ²	5m ²	5m ²
	Group B	5m ²	5m ²	5m ²	4m ²	4m ²
	Group C	4m ²	4m ²	4m ²	2m ²	2m ²
	Group D	3,5m ²	3,5m ²	3,5m ²	2,5m ²	2,5m ²
	Group E	3m ²	3m ²	3m ²	2m ²	2m ²
OPTIONS, BRACKETS AND COMPONENTS		C1, F1, F2, F3, R1, R2, R3, S1, S3, A1 ⁽²⁾ , B1, M2, T1	C1, F1, F2, F3, R1, R2, R3, S1, S3, A1 ⁽²⁾ , B1, M2	C1, F1, F2, F3, R1, R2, R3, S1, S3, A1 ⁽²⁾ , B1, M2, T1	C1, F1, F2, F3, R1, R2, R3, S1, S3, A1 ⁽²⁾ , B1, M2	C1, F1, F2, F3, R1, R2, R3, S1, S3, A1 ⁽²⁾ , B1, M2

① (1) Ecovision, Sheer Lines, Solar Elegant Wetex and View Ignis fabrics, maximum width of 2000mm.

(2) Maximum width 1280mm.

(3) Cellular BO, Cellular Wash BO, Eterea Cell, Plain Cell and Wash Cell fabrics, maximum height of 2600mm.

FABRICS GROUP A: Bouquet, Camouflage, Change, Coffee, Frankfurt, Future Ignis, Light, New York, Points, Quattrocento, Rose End, Sealed Ignis, Sealed Metal Ignis, Sheer Lines, Toronto.

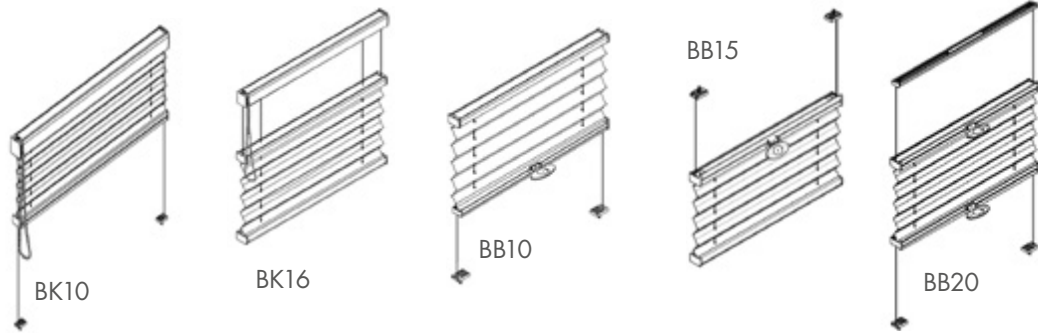
FABRICS GROUP B: Blocks, Denim, Duette Bag, Duette Barcode, Earth, Ecovision, Etamine, Honey, Milan, Must, Neptune, Skyline, Skyline Metal, Solar Elegant Wetex, Tone, View Ignis.

FABRICS GROUP C: Duette BO, Cellular BO, Cellular Wash BO, Wash Cell.

FABRICS GROUP D: Duette BO Ignis.

FABRICS GROUP E: Eterea Cell.

B MODELS - REGULAR



		BK 10	BK 16	BB 10	BB 15	BB 20 With tensioned upper profile
STACKING		UPPER	LOWER	UPPER	LOWER	VARIABLE
OPERATING SYSTEM		CHAIN	CHAIN	HANDLE	HANDLE	HANDLE
SHADE WIDTH	Minimum	400mm	400mm	150mm	150mm	150mm
	Max. 20 mm fabrics ⁽¹⁾	2300mm ⁽¹⁾	2300mm ⁽¹⁾	1500mm	1500mm	1500mm
	Max. 25 mm fabrics ⁽³⁾	3000mm	2950mm	1500mm	1500mm	1500mm
SHADE HEIGHT	Minimum	600mm	600mm	100mm	100mm	100mm
	Max. 20 mm fabrics	2600mm	2600mm	2200mm	2200mm	2200mm
	Max. 25 mm fabrics ⁽³⁾	3000mm	3000mm	2200mm	2200mm	2200mm
MAXIMUM SURFACE	Group A	8m ²	8m ²	3,3m ²	3,3m ²	3,3m ²
	Group B	6m ²	6m ²	3,3m ²	3,3m ²	3,3m ²
	Group C	4m ²	4m ²	3,3m ²	3,3m ²	3,3m ²
	Group D	3,5m ²	3,5m ²	3,3m ²	3,3m ²	3,3m ²
	Group E	3m ²	3m ²	3,3m ²	3,3m ²	3,3m ²
OPTIONS, BRACKETS AND COMPONENTS		C1, F1, F2, F3, R1, R2, R3, M2, T1	C1, F1, F2, F3, R1, R2, R3, M2	C1, F1, F2, F3, R1, R2, R3, S1, A1 ⁽²⁾ , T1	C1, F1, F2, F3, R1, R2, R3, S1, S3, A1 ⁽²⁾ , T1	C1, F1, F2, F3, R1, R2, R3, S1, S3, A1 ⁽²⁾ , T1

① (1) Ecovision, Sheer Lines, Solar Elegant Wetex and View Ignis fabrics, maximum width of 2000mm.

(2) Maximum width 1280mm.

(3) Cellular BO, Cellular Wash BO, Eterea Cell, Plain Cell and Wash Cell fabrics, maximum width of 2950mm and maximum height of 2600mm.

FABRICS GROUP A: Bouquet, Camouflage, Change, Coffee, Frankfurt, Future Ignis, Light, New York, Points, Quattrocento, Rose End, Sealed Ignis, Sealed Metal Ignis, Sheer Lines, Toronto.

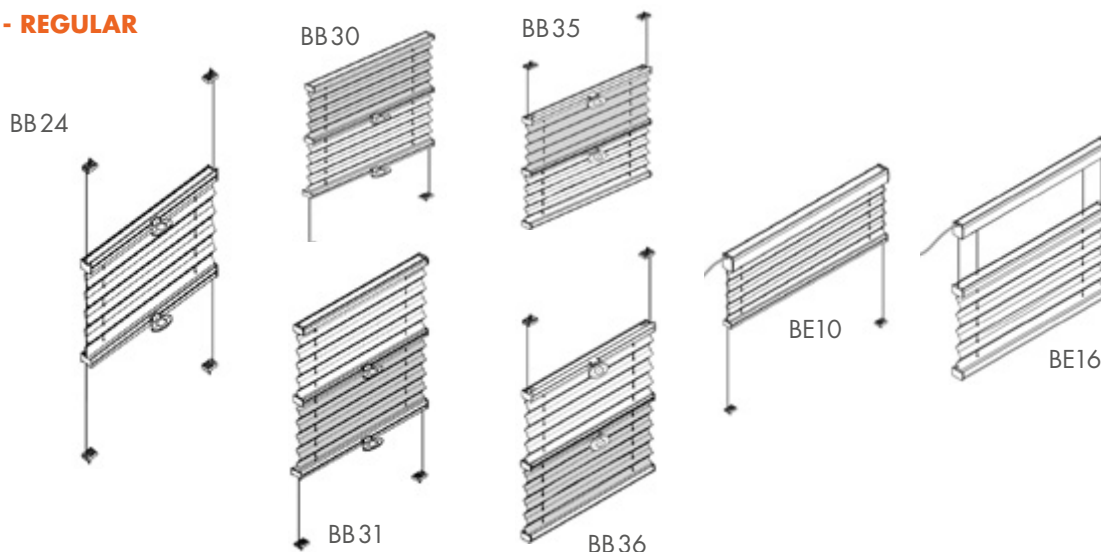
FABRICS GROUP B: Blocks, Denim, Duette Bag, Duette Barcode, Earth, Ecovision, Etamine, Honey, Milan, Must, Neptune, Skyline, Skyline Metal, Solar Elegant Wetex, Tone, View Ignis.

FABRICS GROUP C: Duette BO, Cellular BO, Cellular Wash BO, Wash Cell.

FABRICS GROUP D: Duette BO Ignis.

FABRICS GROUP E: Eterea Cell.

B MODELS - REGULAR



		BB 24	BB 30 BB 31 Night and Day	BB 35 BB 36 Night and Day	BE 10	BE 16
STACKING		VARIABLE	UPPER	LOWER	UPPER	LOWER
OPERATING SYSTEM		HANDLE	HANDLE	HANDLE	MOTOR	MOTOR
SHADE WIDTH	Minimum	300mm	150mm	150mm	440mm	440mm
	Max. 20 mm fabrics	1280mm	1500mm	1500mm	2300mm ⁽¹⁾	2300mm ⁽¹⁾
	Max. 25 mm fabrics ⁽⁴⁾	1280mm	1500mm	1500mm	4400mm	3600mm
SHADE HEIGHT	Minimum	100mm	100mm	100mm	100mm	100mm
	Max. 20 mm fabrics	2200mm	2200mm	2200mm	2600mm	2600mm
	Max. 25 mm fabrics ⁽⁴⁾	2200mm	2200mm	2200mm	3000mm	3000mm
MAXIMUM SURFACE	Group A	2,8m ²	3,3m ²	3,3m ²	8m ²	8m ²
	Group B	2,8m ²	3,3m ²	3,3m ²	6m ²	6m ²
	Group C	2,8m ²	3,3m ²	3,3m ²	4m ²	4m ²
	Group D	2,8m ²	3,3m ²	3,3m ²	4m ²	4m ²
	Group E	2,8m ²	3,3m ²	3,3m ²	4m ²	4m ²
OPTIONS, BRACKETS AND COMPONENTS		C1, F1, F2, F3, R1, S1, S3, A1 ⁽²⁾	C1, F1, F2, F3, R1, R2, R3, S1, S3, A1 ⁽²⁾ , T1	C1, F1, F2, F3, R1, R2, R3, S1, S3, A1 ⁽²⁾ , T1	F1, F2, F3, R1, R2, R3, S1, S3, A1 ⁽³⁾ , M1, M2, T1	F1, F2, F3, R1, R2, R3, S1, S3, A1 ⁽³⁾ , M1, M2

① (1) Ecovision, Sheer Lines, Solar Elegant Wetex and View Ignis fabrics, maximum width of 2000mm.

(2) Maximum width 1280mm.

(3) Maximum width 1800mm.

(4) Cellular BO, Cellular Wash BO, Eterea Cell, Plain Cell and Wash Cell fabrics, maximum width of 2950mm and maximum height of 2600mm.

FABRICS GROUP A: Bouquet, Camouflage, Change, Coffee, Frankfurt, Future Ignis, Light, New York, Points, Quattrocento, Rose End, Sealed Ignis, Sealed Metal Ignis, Sheer Lines, Toronto.

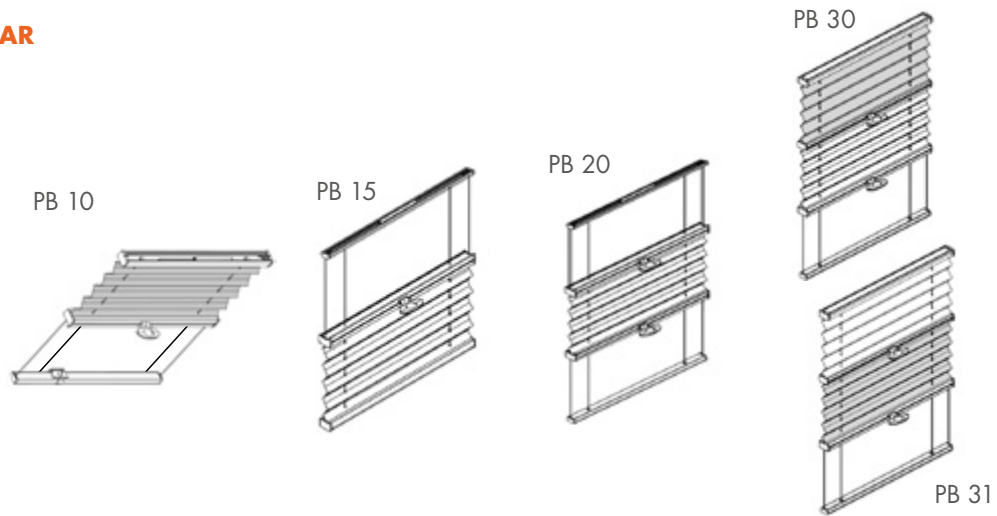
FABRICS GROUP B: Blocks, Denim, Duette Bag, Duette Barcode, Earth, Ecovision, Etamine, Honey, Milan, Must, Neptune, Skyline, Skyline Metal, Solar Elegant Wetex, Tone, View Ignis.

FABRICS GROUP C: Duette BO, Cellular BO, Cellular Wash BO, Wash Cell.

FABRICS GROUP D: Duette BO Ignis.

FABRICS GROUP E: Eterea Cell.

P MODELS - REGULAR



		PB 10	PB 15	PB 20	PB 30 PB 31 Night and Day
STACKING		UPPER	LOWER	VARIABLE	UPPER
OPERATING SYSTEM ⁽¹⁾		HANDLE	HANDLE	HANDLE	HANDLE
SHADE WIDTH	Minimum	150mm	150mm	150mm	150mm
	Max. 20 mm fabrics	1500mm	1500mm	1500mm	1500mm
	Max. 25 mm fabrics	1500mm	1500mm	1500mm	1500mm
SHADE HEIGHT	Minimum	100mm	100mm	100mm	100mm
	Max. 20 mm fabrics	4500mm	4500mm	4500mm	4500mm
	Max. 25 mm fabrics ⁽⁴⁾	4000mm	4000mm	4000mm	4000mm
MAXIMUM SURFACE	Group A	7m ²	7m ²	7m ²	6m ²
	Group B	6m ²	6m ²	6m ²	5m ²
	Group C	5m ²	5m ²	5m ²	4m ²
	Group D	4m ²	4m ²	4m ²	3,5m ²
	Group E	3m ²	3m ²	3m ²	3m ²
OPTIONS, BRACKETS AND COMPONENTS		F1, R1, R2, R3, S1 ⁽²⁾ , M1, M2, F3 ⁽³⁾	F1, R1, R2, R3, S1 ⁽²⁾ , M1, M2, F3 ⁽³⁾	F1, R1, R2, R3, S1 ⁽²⁾ , M1, M2, F3 ⁽³⁾	F1, R1, R2, R3, S1 ⁽²⁾ , M1, M2, F3 ⁽³⁾

(1) An extendible wand is optionally available for models with handles.

(2) Only applicable with inverted side channels.

(3) Maximum height of 2600mm.

(4) Cellular BO, Cellular Wash BO, Eterea Cell, Plain Cell and Wash Cell fabrics, maximum height of 2600mm.

FABRICS GROUP A: Bouquet, Camouflage, Change, Coffee, Frankfurt, Future Ignis, Light, New York, Points, Quattrocento, Rose End, Sealed Ignis, Sealed Metal Ignis, Sheer Lines, Toronto.

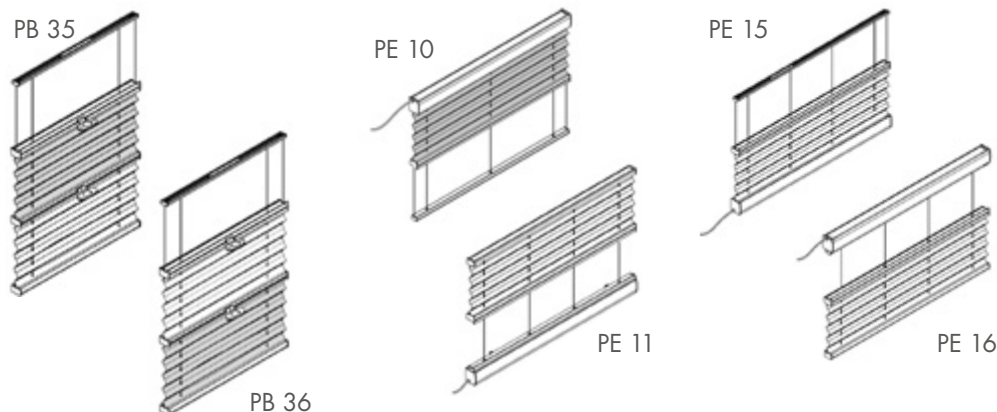
FABRICS GROUP B: Blocks, Denim, Duette Bag, Duette Barcode, Earth, Ecovision, Etamine, Honey, Milan, Must, Neptune, Skyline, Skyline Metal, Solar Elegant Wetex, Tone, View Ignis.

FABRICS GROUP C: Duette BO, Cellular BO, Cellular Wash BO, Wash Cell.

FABRICS GROUP D: Duette BO Ignis.

FABRICS GROUP E: Eterea Cell.

P MODELS - REGULAR



		PB 35 PB 36 Night and Day	PE 10 PE 11	PE 15 PE 16
STACKING		LOWER	UPPER	LOWER
OPERATING SYSTEM		HANDLE ⁽¹⁾	MOTOR	MOTOR
SHADE WIDTH	Minimum	150mm	260mm	260mm
	Max. 20 mm fabrics	1500mm	2300mm ⁽²⁾	2300mm ⁽²⁾
	Max. 25 mm fabrics	1500mm	2300mm	2300mm
SHADE HEIGHT	Minimum	100mm	100mm	100mm
	Max. 20 mm fabrics	4500mm	4500mm	4500mm
	Max. 25 mm fabrics ⁽⁵⁾	4000mm	4000mm	4000mm
MAXIMUM SURFACE	Group A	6m ²	7m ²	7m ²
	Group B	5m ²	6m ²	6m ²
	Group C	4m ²	5m ²	5m ²
	Group D	3,5m ²	4m ²	4m ²
	Group E	3m ²	4m ²	4m ²
OPTIONS, BRACKETS AND COMPONENTS		F1, R1, R2, R3, S1 ⁽³⁾ , M1, M2, F3 ⁽⁴⁾	F1, R1, R2, R3, M1, M2, S1, F3 ⁽⁴⁾	F1, R1, R2, R3, M1, M2, S1, F3 ⁽⁴⁾

- ① (1) An extendible wand is optionally available for models with handles.
 (2) Ecovision, Sheer Lines, Solar Elegant Wetex and View Ignis fabrics, maximum width of 2000mm.
 (3) Only applicable with inverted side channels.
 (4) Maximum height of 2600mm.
 (5) Cellular BO, Cellular Wash BO, Eterea Cell, Plain Cell and Wash Cell fabrics, maximum height of 2600mm.

FABRICS GROUP A: Bouquet, Camouflage, Change, Coffee, Frankfurt, Future Ignis, Light, New York, Points, Quattrocento, Rose End, Sealed Ignis, Sealed Metal Ignis, Sheer Lines, Toronto.

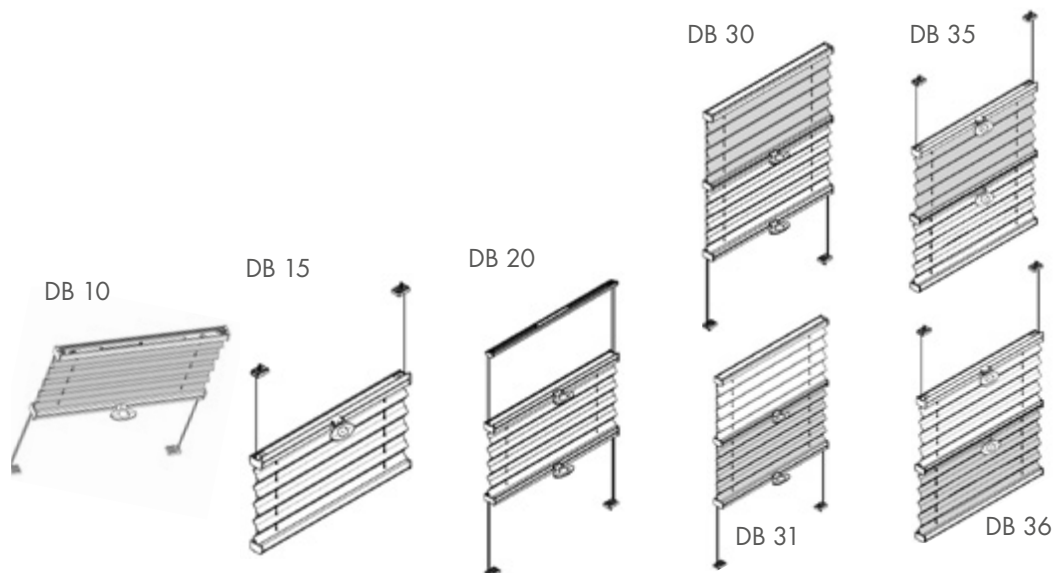
FABRICS GROUP B: Blocks, Denim, Duette Bag, Duette Barcode, Earth, Ecovision, Etamine, Honey, Milan, Must, Neptune, Skyline, Skyline Metal, Solar Elegant Wetex, Tone, View Ignis.

FABRICS GROUP C: Duette BO, Cellular BO, Cellular Wash BO, Wash Cell.

FABRICS GROUP D: Duette BO Ignis.

FABRICS GROUP E: Eterea Cell.

D MODELS - REGULAR



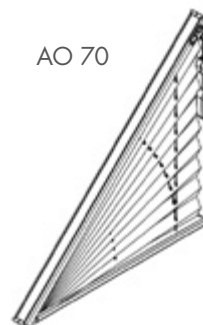
		DB 10	DB 15	DB 20	DB 30 DB 31 Night and Day	DB 35 DB 36 Night and Day
STACKING		UPPER	LOWER	VARIABLE	UPPER	LOWER
OPERATING SYSTEM ⁽¹⁾		HANDLE	HANDLE	HANDLE	HANDLE	HANDLE
SHADE WIDTH	Minimum	150mm	150mm	150mm	150mm	150mm
	Max. 20 mm fabrics	1500mm	1500mm	1500mm	1500mm	1500mm
	Max. 25 mm fabrics	1500mm	1500mm	1500mm	1500mm	1500mm
SHADE HEIGHT	Minimum	100mm	100mm	100mm	100mm	100mm
	Max. 20 mm fabrics	2200mm	2200mm	2200mm	2200mm	2200mm
	Max. 25 mm fabrics	2200mm	2200mm	2200mm	2200mm	2200mm
MAXIMUM SURFACE		2,2m ²	2,2m ²	2,2m ²	2,2m ²	2,2m ²
OPTIONS, BRACKETS AND COMPONENTS		F1, R1, S1, T1, F3	F1, R1, S1, T1, F3	F1, R1, S1, T1, F3	F1, R1, S1, T1, F3	F1, R1, S1, T1, F3

Ⓢ (1) An extendible wand is optionally available for models with handles.

A MODELS - IRREGULAR



AO 40



AO 70

		AO 40 ⁽¹⁾ With upper angle	AO 70 Angle onl
STACKING		UPPER	UPPER
OPERATING SYSTEM		CORD	CORD
SHADE WIDTH	Minimum	400mm	400mm
	Max. 20 mm fabrics	1800mm	2300mm ⁽²⁾
	Max. 25 mm fabrics	1800mm	2400mm
SHADE HEIGHT	Minimum	h1 200mm h2 70mm	100mm
	Max. 20 mm fabrics	2500mm	2000mm
	Max. 25 mm fabrics ⁽³⁾	3000mm	2000mm
MAXIMUM SURFACE	Group A	5m ²	4,8m ²
	Group B	5m ²	4,8m ²
	Group C	5m ²	4,8m ²
	Group D	4m ²	4,8m ²
	Group E	3m ²	3,5m ²
ANGLE	Minimum	1°	1°
	Maximum	30°	60°
OPTIONS, BRACKETS AND COMPONENTS		F1, F2, F3, R1, M1	F1, F2, F3, R1

① (1) It is advised that the intermediate profile be at the height of the user, handle smoothly for proper operation.

(2) Ecovision, Sheer Lines, Solar Elegant Wetex and View Ignis fabrics, maximum width of 2000mm.

(3) Cellular BO, Cellular Wash BO, Eterea Cell, Plain Cell and Wash Cell fabrics, maximum height of 2600mm.

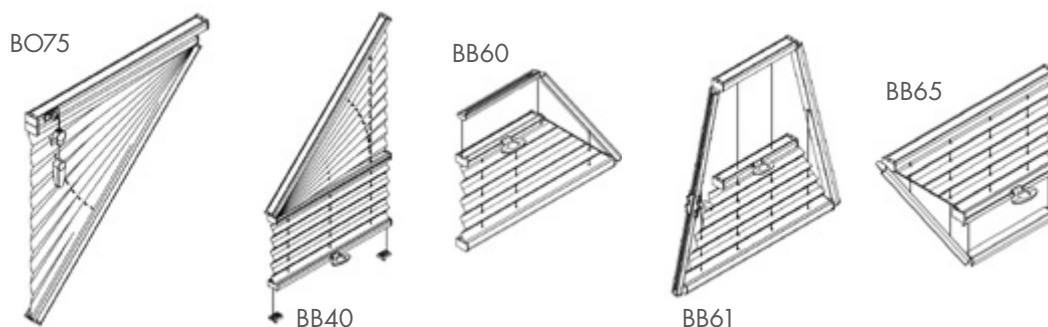
FABRICS GROUP A: Bouquet, Camouflage, Change, Coffee, Frankfurt, Future Ignis, Light, New York, Points, Quattrocento, Rose End, Sealed Ignis, Sealed Metal Ignis, Sheer Lines, Toronto.

FABRICS GROUP B: Blocks, Cellular BO, Cellular Wash BO, Denim, Duette Bag, Duette Barcode, Earth, Ecovision, Etamine, Honey, Milan, Must, Neptune, Plain Cell, Skyline, Skyline Metal, Solar Elegant Wetex, Tone, View Ignis, Wash Cell.

FABRICS GROUP C: Duette BO.

FABRICS GROUP D: Duette BO Ignis, Eterea Cell.

B MODELS - IRREGULAR

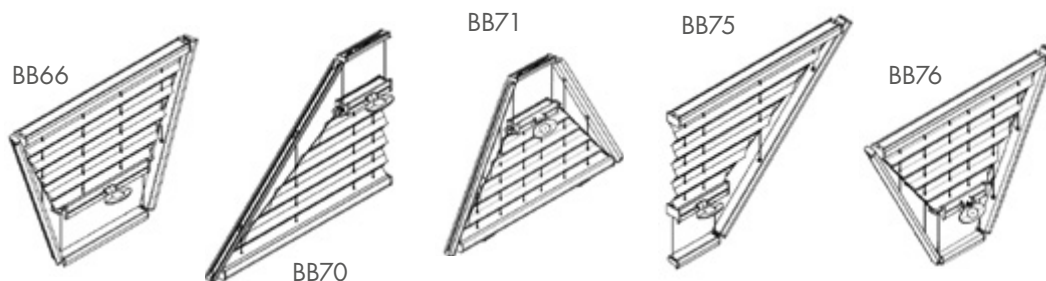


		B075	BB 40 (fixed angle) Sloped upper section		BB 60 Sloped side	BB 61 Trapezoid	BB 65 Sloped side
STACKING		LOWER	UPPER		LOWER	LOWER	UPPER
OPERATING SYSTEM		CORD	HANDLE ⁽¹⁾		HANDLE ⁽¹⁾	HANDLE ⁽¹⁾	HANDLE ⁽¹⁾
SHADE WIDTH	Minimum upper	0mm	0mm	0mm	120mm	120mm	150mm
	Minimum lower	400mm	300mm	300mm	150mm	150mm	120mm
	Max. 20 mm fabrics	2300mm ⁽²⁾	1500mm	1200mm	1500mm	1500mm	1500mm
	Max. 25 mm fabrics	2300mm	1500mm	1200mm	1500mm	1500mm	1500mm
SHADE HEIGHT	Minimum	100mm	300mm	300mm	100mm	100mm	100mm
	Max. 20 mm fabrics	2600mm	1500mm	2200mm	2200mm	2200mm	2200mm
	Max. 25 mm fabrics	2600mm	1500mm	2200mm	2200mm	2200mm	2200mm
MAXIMUM SURFACE		5m ²	2,2m ²	2,6m ²	3,3m ²	3,3m ²	3,3m ²
ANGLE	Minimum	10°	--	--	10°	10°	10°
	Maximum	60°	--	--	89°	89°	89°
MAX. LENGTH OF MEASUREMENT 'W'		--	--	--	880mm	690mm	880mm
OPTIONS, BRACKETS AND COMPONENTS		F1, F2, F3, R1, R2	F1, F2, F3, R1, T1		F1, F2, F3, R1	F1, F2, F3, R1	F1, F2, F3, R1

① (1) An extendible wand is optionally available for models with handles.

(2) Ecovision, Sheer Lines, Solar Elegant Wetex and View Ignis fabrics, maximum width of 2000mm.

B MODELS - IRREGULAR



		BB 66 Trapezoid	BB 70 Right triangle	BB 71 Triangle without a right angle	BB 75 Right triangle	BB 76 Triangle without a right angle
STACKING		UPPER	LOWER	LOWER	UPPER	UPPER
OPERATING SYSTEM ⁽¹⁾		HANDLE	HANDLE	HANDLE	HANDLE	HANDLE
SHADE WIDTH	Minimum upper	150mm	0mm	0mm	150mm	150mm
	Minimum lower	120mm	150mm	150mm	0mm	0mm
	Max. 20 mm fabrics	1500mm	1000mm	1500mm	1000mm	1500mm
	Max. 25 mm fabrics	1500mm	1000mm	1500mm	1000mm	1500mm
SHADE HEIGHT	Minimum	100mm	100mm	100mm	100mm	100mm
	Max. 20 mm fabrics	2200mm	2200mm	2200mm	2200mm	2200mm
	Max. 25 mm fabrics	2200mm	2200mm	2200mm	2200mm	2200mm
MAXIMUM SURFACE		3,3m ²	2,2m ²	3,3m ²	2,2m ²	3,3m ²
ANGLE	Minimum	10°	10°	10°	10°	10°
	Maximum	89°	89°	89°	89°	89°
MAX. LENGTH OF MEASUREMENT 'W'		690mm	1000mm	750mm	1000mm	750mm
OPTIONS, BRACKETS AND COMPONENTS		F1, F2, F3, R1	F1, R1	F1, R1	F1, R1	F1, R1

⁽¹⁾ An extendible wand is optionally available for models with handles.

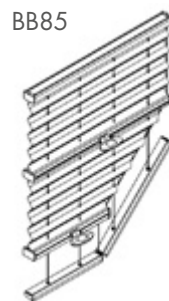
B MODELS - IRREGULAR



BB80



BB81



BB85

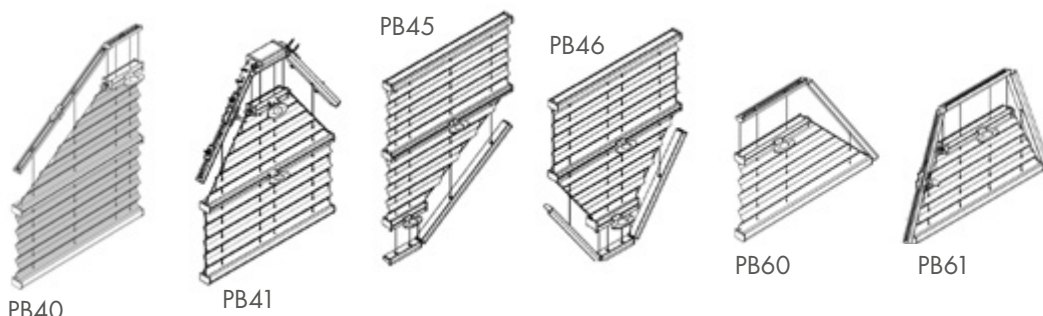


BB86

		BB 80 Irregular shape above	BB 81 Hexagonal shape	BB 85 Irregular shape below	BB 86 Hexagonal shape
STACKING		LOWER	LOWER	UPPER	UPPER
OPERATING SYSTEM ⁽¹⁾		HANDLE	HANDLE	HANDLE	HANDLE
SHADE WIDTH	Minimum upper	120mm	120mm	350mm	500mm
	Minimum lower	350mm	500mm	120mm	120mm
	Max. 20 mm fabrics	1500mm	1500mm	1500mm	1500mm
	Max. 25 mm fabrics	1500mm	1500mm	1500mm	1500mm
SHADE HEIGHT	Minimum	300mm	300mm	300mm	300mm
	Max. 20 mm fabrics	2200mm	2200mm	2200mm	2200mm
	Max. 25 mm fabrics	2200mm	2200mm	2200mm	2200mm
MAXIMUM SURFACE		3,3m ²	3,3m ²	3,3m ²	3,3m ²
MAX. LENGTH FROM MEASUREMENT 'W'		1380mm	1380mm	1380mm	1380mm
OPTIONS, BRACKETS AND COMPONENTS		F1, F2, F3, R1	F1, F2, F3, R1	F1, F2, F3, R1	F1, F2, F3, R1

⁽¹⁾ An extendible wand is optionally available for models with handles.

P MODELS - IRREGULAR



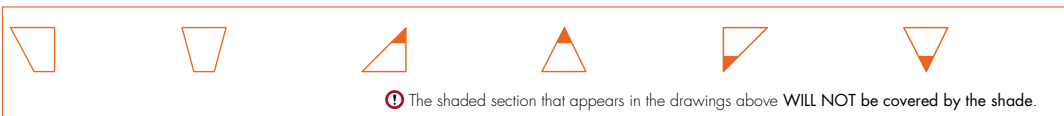
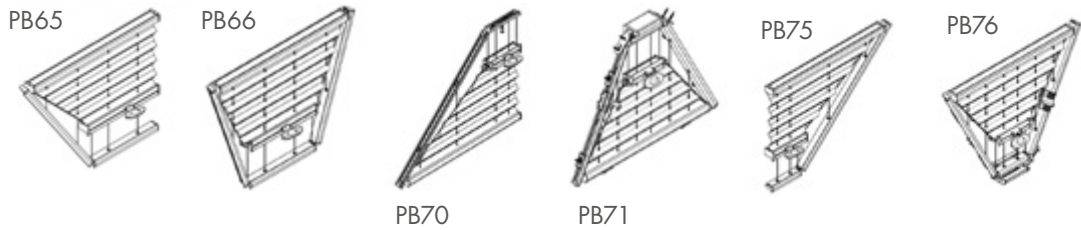
ⓘ The shaded section that appears in the drawings above WILL NOT be covered by the shade.

		PB 40 Upper profile with slope	PB 41 Pointed upper profiles	PB 45 Lower profile with slope	PB 46 Pointed lower profiles	PB 60 Irregular side shape	PB 61 Trapezoid shape
STACKING		LOWER	LOWER	UPPER	UPPER	LOWER	LOWER
OPERATING SYSTEM ⁽¹⁾		HANDLE	HANDLE	HANDLE	HANDLE	HANDLE	HANDLE
SHADE WIDTH	Minimum upper	0mm	0mm	150mm	150mm	120mm	120mm
	Minimum lower	150mm	150mm	0mm	0mm	150mm	150mm
	Max. 20 mm fabrics	1000mm	1500mm	1000mm	1500mm	1500mm	1500mm
	Max. 25 mm fabrics	1000mm	1500mm	1000mm	1500mm	1500mm	1500mm
SHADE HEIGHT	Minimum	100mm	100mm	100mm	100mm	100mm	100mm
	Max. 20 mm fabrics	2600mm	2600mm	2600mm	2600mm	2600mm	2600mm
	Max. 25 mm fabrics	2600mm	2600mm	2600mm	2600mm	2600mm	2600mm
MAXIMUM SURFACE		2,6m ²	3,9m ²	2,6m ²	3,9m ²	3,9m ²	3,9m ²
ANGLE	Minimum	10°	10°	10°	10°	10°	10°
	Maximum	60°	60°	60°	60°	89°	89°
MAX. LENGTH OF MEASUREMENT 'W'		1000mm	750mm	1000mm	750mm	880mm	690mm
OPTIONS, BRACKETS AND COMPONENTS		F1, R1, R2, M1	F1, R1, R2, M1	F1, R1, R2, M1	F1, R1, R2, M1	R1, M1, F3 ⁽²⁾	R1, M1, F3 ⁽²⁾

ⓘ (1) An extendible wand is optionally available for models with handles.

(2) Maximum height of 2600mm.

P MODELS - IRREGULAR



		PB 65 Irregular side shape	PB 66 Trapezoid shape	PB 70 Right triangle	PB 71 Triangle without a right angle	PB 75 Right triangle	PB 76 Triangle without a right angle
STACKING		UPPER	UPPER	LOWER	LOWER	UPPER	UPPER
OPERATING SYSTEM ⁽¹⁾		HANDLE	HANDLE	HANDLE	HANDLE	HANDLE	HANDLE
SHADE WIDTH	Minimum upper	150mm	150mm	0mm	0mm	150mm	150mm
	Minimum lower	120mm	120mm	150mm	150mm	0mm	0mm
	Max. 20 mm fabrics	1500mm	1500mm	1000mm	1500mm	1000mm	1500mm
	Max. 25 mm fabrics	1500mm	1500mm	1000mm	1500mm	1000mm	1500mm
SHADE HEIGHT	Minimum	100mm	100mm	100mm	100mm	100mm	100mm
	Max. 20 mm fabrics	2600mm	2600mm	2600mm	2600mm	2600mm	2600mm
	Max. 25 mm fabrics	2600mm	2600mm	2600mm	2600mm	2600mm	2600mm
MAXIMUM SURFACE		3,9m ²	3,9m ²	2,6m ²	3,9m ²	2,6m ²	3,9m ²
ANGLE	Minimum	10°	10°	10°	10°	10°	10°
	Maximum	89°	89°	89°	89°	89°	89°
MAX. LENGTH FROM MEASUREMENT 'W'		880mm	690mm	1000mm	750mm	1000mm	750mm
OPTIONS, BRACKETS AND COMPONENTS		R1, M1, F3 ⁽²⁾	R1, M1, F3 ⁽²⁾	F1, R1, M1	F1, R1, M1	F1, R1, M1	F1, R1, M1

ⓘ (1) An extendible wand is optionally available for models with handles.
 (2) Maximum height of 2600mm.

P MODELS - IRREGULAR



PB80



PB81



PB85



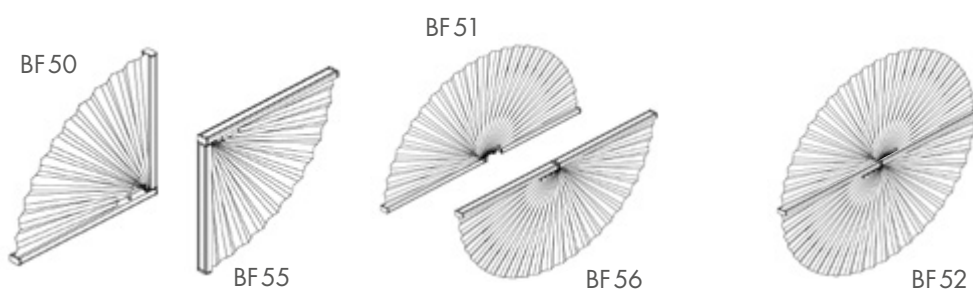
PB86

		PB 80 Irregular shape above	PB 81 Hexagonal shape	PB 85 Irregular shape below	PB 86 Hexagonal shape
STACKING		LOWER	LOWER	UPPER	UPPER
OPERATING SYSTEM ⁽¹⁾		HANDLE	HANDLE	HANDLE	HANDLE
SHADE WIDTH	Minimum upper	120mm	120mm	400mm	400mm
	Minimum lower	400mm	400mm	120mm	120mm
	Max. 20 mm fabrics	1000mm	1200mm	1000mm	1200mm
	Max. 25 mm fabrics	1000mm	1200mm	1000mm	1200mm
SHADE HEIGHT	Minimum	300mm	300mm	300mm	300mm
	Max. 20 mm fabrics	2600mm	2600mm	2600mm	2600mm
	Max. 25 mm fabrics	2600mm	2600mm	2600mm	2600mm
MAXIMUM SURFACE		2,6m ²	3,1m ²	2,6m ²	3,1m ²
ANGLE	Minimum	-	-	-	-
	Maximum	-	-	-	-
MAX. LENGTH OF MEASUREMENT 'W'		880mm	690mm	880mm	690mm
OPTIONS, BRACKETS AND COMPONENTS		F1, R1, M1, F3 ⁽²⁾	F1, R1, M1, F3 ⁽²⁾	F1, R1, M1, F3 ⁽²⁾	F1, R1, M1, F3 ⁽²⁾

⁽¹⁾ An extendible wand is optionally available for models with handles.

⁽²⁾ Maximum height of 2600mm.

B MODELS - FIXED AND IRREGULAR



		BF 50 BF 55	BF 51 BF 56	BF 52
SHADE WIDTH	Minimum	150mm	150mm	150mm
	Max. 20 mm fabrics	600mm	1200mm	1200mm
	Max. 25 mm fabrics	600mm	1200mm	1200mm
SHADE HEIGHT	Minimum	100mm	100mm	100mm
	Max. 20 mm fabrics	600mm	600mm	1200mm
	Max. 25 mm fabrics	600mm	600mm	1200mm
MAXIMUM SURFACE		0,36m ²	0,72m ²	1,44m ²
OPTIONS, BRACKETS AND COMPONENTS		F1, R1, R2	F1, R1, R2	F1, R1, R2



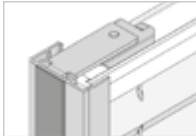


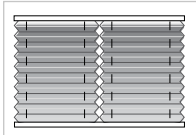

⚠ In order to manufacture this shade, the customer must indispensably send Bandalux a real-size template (we recommend using a roll of brown paper)

MOTOR

MOTOR		AUTOMATISMS				
		SINGLE-CHANNEL REMOTE CONTROL	MULTI-CHANNEL REMOTE CONTROL	RTS RECEIVERS	TRANSFORMERS	
24V HARDWIRED	SOMFY (models AE / BE)	AE MODEL LV25	INVERTER 5 Positions ref. 02464010	--	--	INTERNAL TRANSFORMER IMAGINE HEADRAIL ref. 03507600
		BE MODEL LV25				
	BANDALUX (PE models)	TIGER	INVERTER 5 Positions ref. 02464010	--	--	INTERNAL TRANSFORMER IMAGINE HEADRAIL ref. 03507600
RADIO 24V	SOMFY (models AE / BE)	AE MODEL LV25	TRANSMITTER TELIS 1 PURE ref. 06700970	TRANSMITTER TELIS 4 PURE ref. 06700881	INTEGRATED RTS 24V RECEIVER ⁽¹⁾ ref. 02463611	INTERNAL TRANSFORMER IMAGINE HEADRAIL ref. 03507600
					BE MODEL LV25	
	BANDALUX (PE models)	TIGER	TRANSMITTER TELIS 1 PURE ref. 06700970	TRANSMITTER TELIS 4 PURE ref. 06700881	INTEGRATED RTS 24V RECEIVER ⁽²⁾ ref. 02463611	INTERNAL TRANSFORMER IMAGINE HEADRAIL ref. 03507600
					EXTERNAL 24V RECEIVER ref. 02463601	

(1) In Models AE and BE, integrated receiver only for shades shorter than 2500mm and wider than 1050mm, or shades between 2500mm and 3000mm high and 1170mm wide.
(2) In PE model, integrated receiver only for shade wider than 470mm.

OTHER OPTIONS (regular models only)

	"L"-SHAPED SIDE CHANNEL 90° AND 96° (S1)		"U"-SHAPED SIDE CHANNEL 90° (S3)		"U"-SHAPED SIDE CHANNEL 90° ADHESIVE (A1)
	COMPLETE TELESCOPIC WAND (ONLY FOR HANDLE)		EQUIPLEAT		DOUBLE DROP IN A SINGLE OPERATING SYSTEM Bottom bar and upper profile (ONLY FOR A REGULAR MODELS)
<p>(1) An extendible wand equipped with a mechanism that connects with the handle (activated by twisting it).</p>		<p>(2) Only available for models with free vertical fall shades without irregular shapes or handles.</p>			
	SAFEKIDS	<p>COLORS</p> <p><input type="checkbox"/> White <input checked="" type="checkbox"/> Black <input checked="" type="checkbox"/> Brown <input checked="" type="checkbox"/> Grey <input checked="" type="checkbox"/> Ivory</p>			

Pleated shade

➔ OPTIONS

BRACKETS AND COMPONENTS

		Models A	Models B	Models D	Models P
		Vertical drop	Vertical drop with cord guiding. Maximum slope 15°	Models for skylights. Maximum slope 60°	Cable guiding for skylights and horizontal windows
	B1 Movement of corner brake	✓	✓	✗	✗
	C1(2) Window bracket with no screws	✓	✓	✗	✗
	F1(1) Wall bracket separation 5mm	✓	✓	✓	✓
	F2(2) Wall bracket 70mm	✓	✓	✗	✗
	F3(2) Wall bracket 40mm	✓	✓	✗	✗
	R1(1) Ceiling bracket Includes 11° wedge compensation	✓	✓	✓	✓
	R2(2) Separator 1,5mm compensation	✓	✓	✓	✓
	R3(2) Separator 8mm ventilation	✓	✓	✓	✓
	M1 Upper profile channel installation	✓	✓	✗	✓
	M2 Upper / lower profile channel installation	✗	✓	✗	✓
	T1 Fixed profile tensioner channel (models B and D)	✗	✓	✓	✗

Ⓢ (1) By default, Bandalux supplies brackets for wall (F1) or ceiling installation (R1).

(2) Bandalux will provide as many brackets as necessary, depending on the model and shade size requested.

STACKING HEIGHT

MODELS: AO AND BO (CORD), BB, DB AND PB (HANDLE)

Shade height H	10 SERIES		
	FABRICS GROUP 1	FABRICS GROUP 2	FABRICS GROUP 3
500mm	54mm	57mm	61mm
1000mm	62mm	69mm	77mm
1500mm	71mm	81mm	94mm
2000mm	79mm	93mm	110mm
2500mm	88mm	105mm	126mm
3000mm	96mm	117mm	142mm
3500mm	105mm	129mm	158mm

Shade height H	20 SERIES and 30 SERIES		
	FABRICS GROUP 1	FABRICS GROUP 2	FABRICS GROUP 3
500mm	62mm	65mm	69mm
1000mm	70mm	77mm	85mm
1500mm	79mm	89mm	102mm
2000mm	87mm	101mm	118mm
2500mm	96mm	113mm	134mm
3000mm	104mm	125mm	150mm
3500mm	113mm	137mm	166mm

MODELS: AE, AK AND BK (CHAIN), BE AND PE (MOTOR)

Shade height H	10 SERIES		
	FABRICS GROUP 1	FABRICS GROUP 2	FABRICS GROUP 3
500mm	74mm	77mm	81mm
1000mm	82mm	89mm	97mm
1500mm	91mm	101mm	114mm
2000mm	99mm	113mm	130mm
2500mm	108mm	125mm	146mm
3000mm	116mm	137mm	162mm
3500mm	125mm	149mm	178mm
4000mm	133mm	161mm	194mm
4500mm	142mm	173mm	211mm

FABRICS GROUP 1:

BOUQUET, CAMUFLAGE, DUETTE BAG, DUETTE BARCODE, DUETTE BO, DUETTE BO IGNIS, FRANKFURT, LIGHT, NEW YORK, PLAIN CELL, POINTS, ROSE END, SEALED IGNIS, SEALED METAL IGNIS, SHEER LINES, TORONTO

FABRICS GROUP 2:

CHANGE, ETAMINE, ETEREA CELL, FUTURE IGNIS, QUATTROCENTO, SOLAR ELEGANT WETEX, WASH CELL

FABRICS GROUP 3:

BLOCKS, CELLULAR BO, CELLULAR WASH BO, COFFEE, DENIM, EARTH, ECOVISION, HONEY, MILAN, MUST, NEPTUNE, SKYLINE, SKYLINE METAL, TONE, VIEW IGNIS

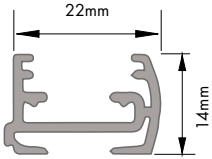
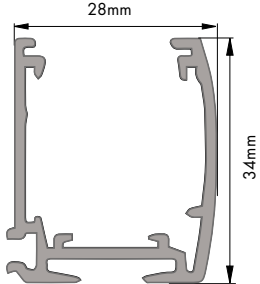
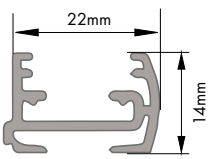
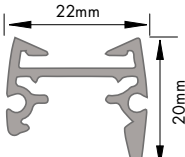
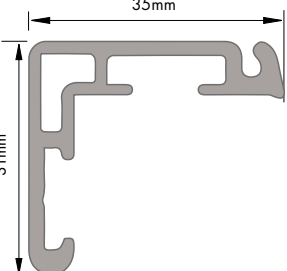
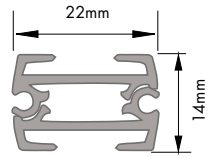
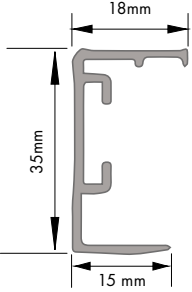
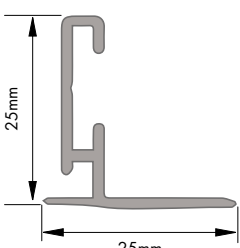
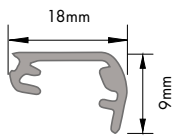
AVAILABLE MOTOR DATA

TYPE	MODEL	ø mm	Nm.	r.p.m.	power (W)
SOMFY® HARDWIRED/RADIO 24V	LV 25 0,6/35 LATERAL	24	0,6	35	14
BANDALUX HARDWIRES/RADIO 24V	TIGER M255 21-830 24V	24.6	0,8	30	12

Pleated shade

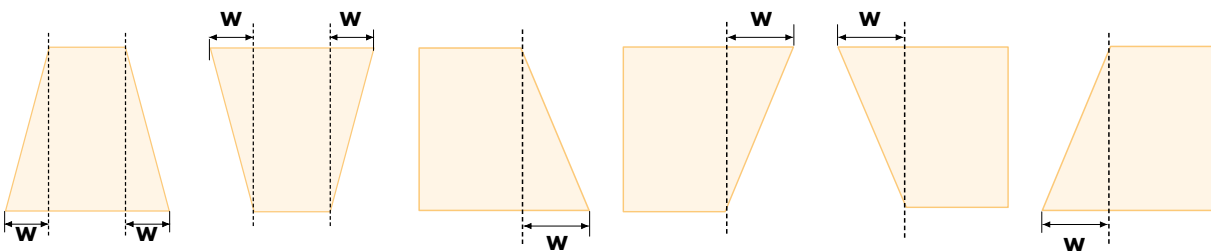
TECHNICAL DATA

DRAWING IN SECTION AND LEVELS OF THE HEADRAILS, BOTTOM BARS AND OPTIONS

<p>HEADRAIL FOR CORD AND HANDLE OPERATING SYSTEM</p> 	<p>HEADRAIL FOR CHAIN AND MOTOR OPERATING SYSTEM</p> 	<p>FREE DROP BOTTOM BAR</p> 
<p>CLOSURE BOTTOM BAR (GUIDED)</p> 	<p>PROFILE ADDITIONAL INSTALLATION M1 AND M2 OPTION</p> 	<p>INTERMEDIATE PROFILE (UNION FABRICS)</p> 
<p>"U" SHAPED SIDE CHANNEL A1 AND S3 OPTION</p> 	<p>SIDE CHANNEL "L" 90° AND 96° - S1 OPTION</p> 	<p>GUIDED FIXED PROFILE T1 OPTION</p> 

MAXIMUM LENGTH OF THE 'W' MEASUREMENT IN IRREGULAR MODELS

See irregular pleated shade models on pages 11 - 18.



VENET/PLEAT

MAXIMUM SHADE SIZE (mm)

Price	Collection	Type	Width of pleat	Limited width maximum of tailoring ⁽¹⁾
1	DENIM	Decorative	20mm	2350
	ETAMINE	Decorative	20mm	2350
	PLAIN CELL	Decorative	25mm	2950
	WASH CELL	Decorative	25mm	2950
2	COFFEE	Deco translucent	20mm	2400
	ECOVISION	Fire-retardant	20mm	200
	POINTS	Decorative	20mm	2350
	SKYLINE	Fire-retardant	20mm	2350
	SOLAR ELEGANT WETEX	Anti-mold	20mm	2000
	STONE	Fire-retardant	20mm	2350
3	CAMOUFLAGE	Deco translucent	20mm	2400
	CELLULAR BO	Between crystals-air cell	25mm	2950
	CELLULAR WASH BO	Blackout	25mm	2950
	CHANGE	Decorative	20mm	2400
	EARTH	Decorative	20mm	2350
	ETEREA CELL	Deco translucent	25mm	2950
	FRANKFURT	Fire-retardant	20mm	2300
	HONEY	Deco translucent	20mm	2400
	LIGHT	Decorative	20mm	2350
	MILAN	Fire-retardant metalized	20mm	2350
	MUST	Fire-retardant	20mm	2350
	NEPTUNE	Decorative	20mm	2350
	NEW YORK	Fire-retardant	20mm	2300
	SKYLINE METAL	Fire-retardant metalized	20mm	2350
	TORONTO	Fire-retardant	20mm	2300
	4	BLOCKS	Decorative	20mm
BOUQUET		Decorative	20mm	2350
DUETTE BAG		Decorative	25mm	4500
DUETTE BARCODE		Decorative	25mm	4500
DUETTE BO		Blackout	25mm	4500
FUTURE IGNIS		Fire-retardant	20mm	3000
QUATTROCENTO		Decorative	20mm	2400
ROSE END		Decorative	20mm	2370
SEALED IGNIS		Fire-retardant	20mm	2300
SEALED METAL IGNIS		Fire-retardant/metal	20mm	2320
SHEER LINES		Decorative	20mm	2000
VIEW IGNIS	Fire-retardant	20mm	2000	
5	DUETTE BO IGNIS	Blackout fireproof	25mm	4400

COLOR PROFILE AND COMPONENTS

If you do not indicate a different color on the order form or eBa, the profiles will be served in white by default. The color of the cords, knobs, ladders and chains will be coordinated with the chosen fabric according to Bandalux's stylistic criteria.

White (RAL 9016)
 Grey (RAL 9006)
 Metallic Grey (DB 703)
 Brown (RAL 8019)
 Ivory (RAL 9001)

contract.bandalux.com

bandalux.com