

SOLUTIONS WITH NO SCREWS OR PERFORATIONS



FIT AND FIT-PLEAT

 Bandalux



Fit roller shade FLAT CHANNEL

Enables the shade to fit perfectly into the frame. Recommended for totally flat surfaces free of moldings and cross bars.



Fit roller shade U-SHAPED CHANNEL

Can be used on frames with small moldings or cross bars, on the glass section (flat surface).



Fit-Pleat 'A1' CHANNEL

A pleated fabric system with the option of combining two fabrics. Adaptable to windows and glass doors (flat surfaces).



Special for tilt and turn windows 15°

The Fit system can be applied to all types of windows, and especially tilt and turn windows with a maximum slope of 15°.

Adheres to the frame without damaging the surface, thanks to its ultra-resistant adhesive tape

Ideal for windows and glass doors:

- Fits perfectly into the structure.
- No holes. No perforations.
- With ultra resistant 3M adhesive tape.



Matching colors



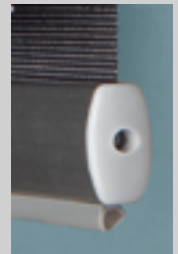
The box, channels and bottom rail are available in 3 colors, making for a perfectly matched combination:

White, Silver and Brown.

Coordinate them with a wide array of fabrics to choose from:

- Polyscreen®
- Blackout
- Decorative
- Metallic

Bottom rail



Bottom rail in view, with a soft weather strip below, which closes off the surface of the frame, facilitating the semi-blackout effect **with the flat channel.**



Semi-blackout option

The FIT shade can provide almost total darkness, thanks to the **Blackout fabric range**, with different colors and textures, and also thanks to the system of **side channels**.

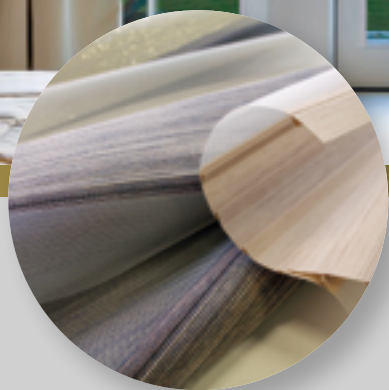


AESTHETICS ADAPTED
TO EACH SPACE



FIT-NEOLUX

 Bandalux



A variety
of fabrics

More than 30 references featuring different textures, colors and degrees of transparency.

Fit-Neolux bottom rail

Hidden bottom rail that brings together simplicity and functionality, enabling the NIGHT AND DAY fabric to slide smoothly.



Child
Safety



By default, Bandalux supplies its products with the **child safety system, which enables the chain to be fastened to the wall**, to keep children from getting tangled up in it.

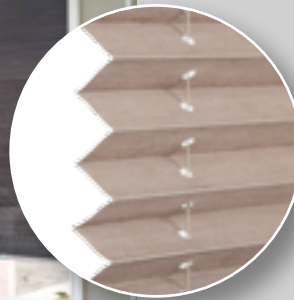


TOTAL FUNCTIONALISM

FIT-PLEAT



Two types of fabrics.
Two solutions



Pleated fabric:
20 mm pleat.

Available in many different colors, textures and transparencies.



Cell Fabric:
25 mm pleat.

- Inner beehive-like cell.
- 100% darkness.
- Thermal insulation.

Profile colors

- White RAL 9016
- Ivory RAL 9001
- Grey RAL 9006

- Brown RAL 8019
- Metallic Grey DB 703

Night and Day option

Combination of two fabrics in a single shade, for transparency or privacy at any time of the day.





> Fit

FEATURES

For windows and glass doors

With no need for screws for its installation.

Choose from two types of channels

Flat Channel

"U"-shaped Channel

Variety of fabrics available

Bottom rail with a lower weather strip

BENEFITS

> The blind fits directly over the frame of the glass door or window.

> Thanks to the ultra resistant 3M adhesive tape, the box and channels adhere directly to the frame, making it unnecessary to perforate the surface.

> Totally built into the frame, creating a neutral aesthetic that is easy to combine with any decorative style.

> Adaptable to several types of frame designs with moldings and /or crosspieces, with a flat surface. In comparison with others, this model does not require as much precision when taking measurements.

> A solution for countless different situations, from darkening a room to generating the ideal filtration of light without losing visibility to the outside.

> Facilitates the semi-concealing action of the FIT.

+ **OPTIONS**

1 INCLUDED IN THE PRICE

Box and flat channel



Box and U-shaped channel



Child Safety



PROFILE COLORS

White RAL 9016

If no other color has been specified on the order form, the customer will automatically receive the products delivered in white.

2 OPTIONS WITH NO ADDITIONAL CHARGE

Anodized aluminum

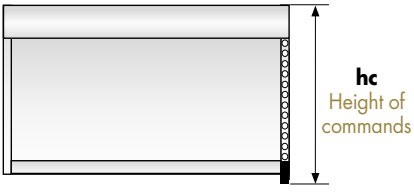
Brown RAL 8017

🔧 TECHNICAL DATA

1 MINIMUM AND MAXIMUM SIZES

Model	Operation	Shade width		Shade height		Surface		Tolerance
		Maximum	Minimum	Maximum	Minimum	Maximum	Minimum	% (Width/Height)
FLAT CHANNEL	Chain	1600mm	300mm	2500mm	300mm	3,25m ²	0,15m ²	0,2%/0,5%
"U"-SHAPED CHANNEL	Chain	1600mm	300mm	2500mm	300mm	3,25m ²	0,15m ²	0,2%/0,5%

2 HEIGHT OF COMMANDS



hc
Height of commands

CHAIN WITH CHILD SAFETY

The **Child Safety** piece must be positioned at a minimum height of 1,5m from the floor. To calculate the height of the controls (hc), [see page 57](#).

CHAIN WITHOUT CHILD SAFETY

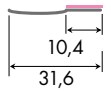
Minimum calculation for hc: Shade height H x 0,5 + 50mm

The height of the controls will always be measured from the uppermost section of the shade (upper end of the box), to the lower part of the chain tensioner. Due to the development of the mechanism, the height of the control can never be lower than the result of the calculation.

Example of calculation:	
Shade height H	Height of commands hc (minimum)
600mm	350mm
1200mm	650mm
1800mm	950mm

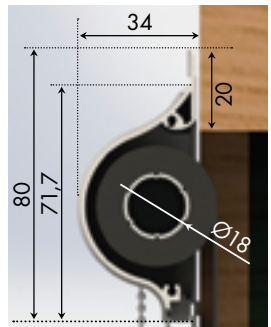
3 FLAT CHANNEL Measurements in mm

FLAT CHANNEL



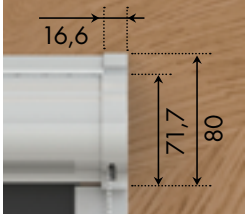
10,4
31,6

Box (side view)



34
80
71,7
20
Ø18

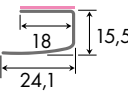
Box (frontal view)



16,6
71,7
80

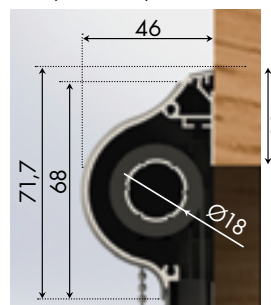
4 "U"-SHAPED CHANNEL Measurements in mm

"U" CHANNEL



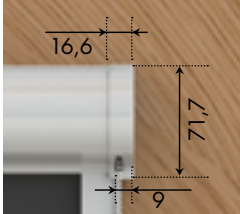
18
15,5
24,1

Box (side view)



46
71,7
68
30
Ø18

Box (frontal view)



16,6
71,7
9

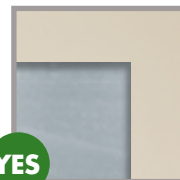
Shade > Fit with flat channel

TAKING MEASUREMENTS

INSTALLATION
ALLOWED

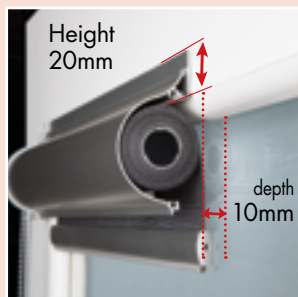
YES

NO



CHECKING THE MEASUREMENTS: (Images intended to serve as examples only)

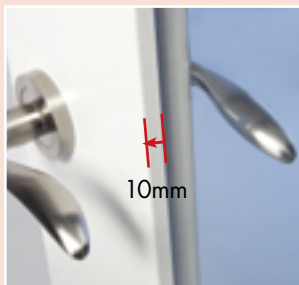
- 1** Min. depth 10mm
Min. height 20mm



Install at a depth of at least 10mm in relation to the inner molding.

There should be at least 20mm of height in the upper section, measuring upward from the molding (flat surface).

- 2** Min. depth 10mm



The molding should be at least 10 mm wide.

- 3** Minimum space 11mm

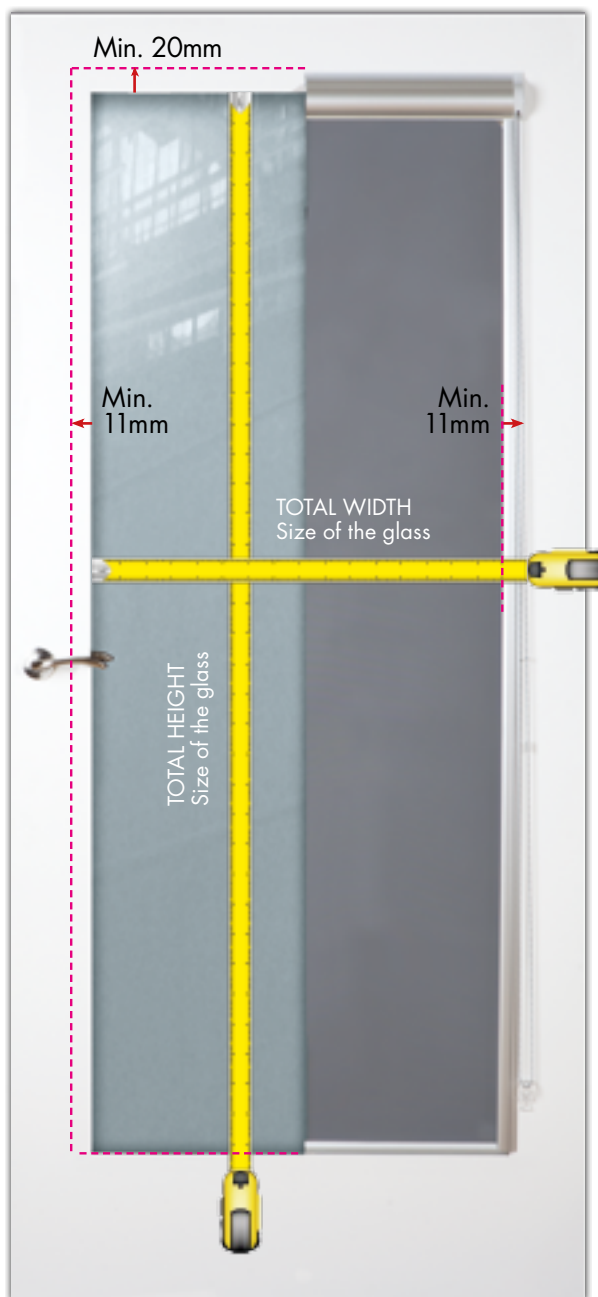


Minimum space of 11mm between the doorknob and the edge of the inner molding (as long as the surface is flat).

TAKING THE RIGHT MEASUREMENTS:



THE FIT SYSTEM WITH A FLAT CHANNEL CAN ONLY BE INSTALLED ON THE FLAT SURFACES OF GLASS DOORS OR WINDOWS WITH STRAIGHT SIDES AND WITHOUT MOLDINGS.



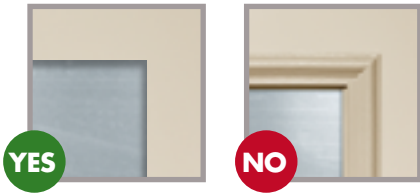
ORDER:

The customer need only provide the measurements of the glass. The measurements of the blind delivered by Bandalux will include:

- Upper section: Size of the glass +20mm
- Sides: Size of the glass +11mm on both sides
- Lower section: Size of the glass

Shade > Fit with "U"-shaped channel

TAKING MEASUREMENTS



INSTALLATION
ALLOWED

CHECKING THE MEASUREMENTS: (Images intended to serve as examples only)

1 Min. height **70mm**



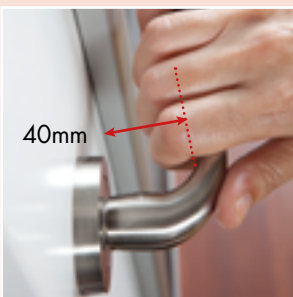
The height must be at least **70mm** in the upper section, measuring upward from the molding, so that the box is not visible behind the door (flat surface).

2 Minimum space **18mm**



Minimum space of **18mm** between the doorknob and the start of the inner edge of the molding.

3 Minimum depth **40mm**

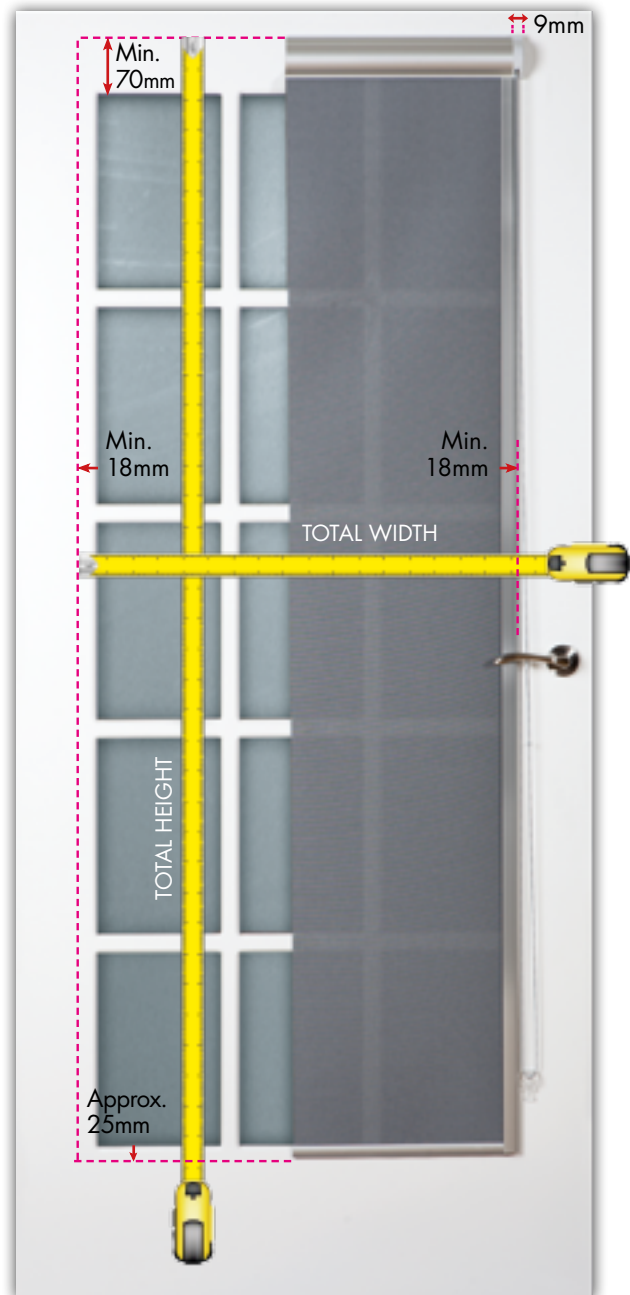


There should be at least **40mm** between the doorknob and the start of the door frame.

TAKING THE RIGHT MEASUREMENTS:



THE FIT SYSTEM WITH A U-SHAPED CHANNEL CAN BE INSTALLED ON FLAT SURFACES OR ON GLASS DOORS OR WINDOWS WITH MOLDINGS AND CROSS BARS.

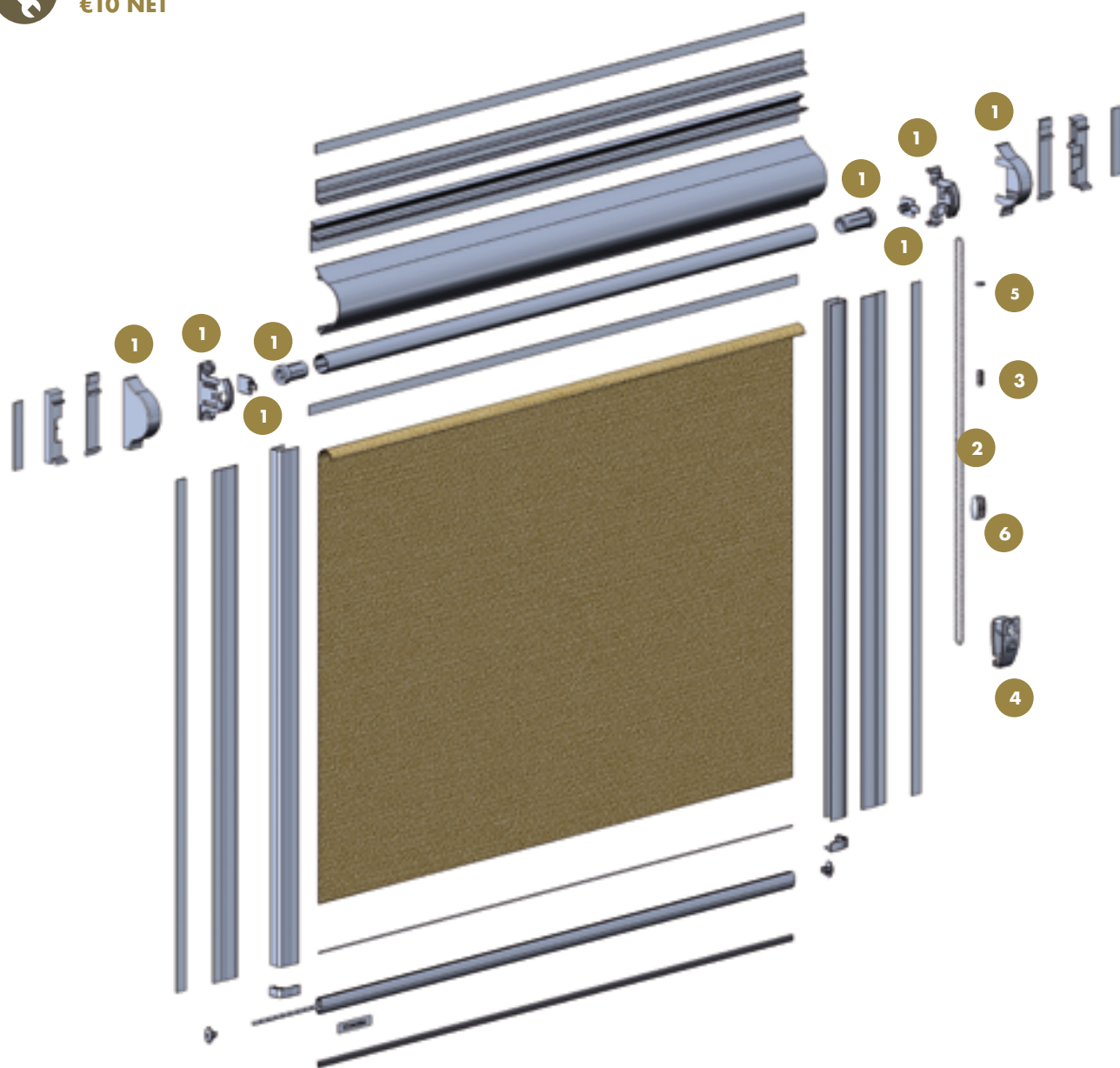


ORDER:

Bandalux will supply the shades with the measurements provided by the customer. The box will have an additional width of 18mm.



**MINIMUM INVOICING
€10 NET**



- 1** 05470000S Fit mechanism pieces MI – white
- 05470010S Fit mechanism pieces MI – grey
- 05470020S Fit mechanism pieces MI – brown
- 05470001S Fit mechanism pieces MD – white
- 05470011S Fit mechanism pieces MD – grey
- 05470021S Fit mechanism pieces MD – brown
- 2** 05470100 Fit operation chain 3,2 x 4,5mm – white
- 05470110 Fit operation chain 3,2 x 4,2mm – gray
- 05470120 Fit operation chain 3,2 x 4,2 mm – brown
- 3** 05470200 Fit operation chain connector – white
- 05470210 Fit operation chain connector – grey
- 05470220 Fit operation chain connector – brown

- 4** 05402410 Child Safety Roller clip
- 5** 05470600 Fit operation chain stopper – white
- 05470610 Fit operation chain stopper grey
- 05470620 Fit operation chain stopper brown
- 6** 05471400 Fit operation chain support – white
- 05471410 Fit operation chain support – grey
- 05471420 Fit operation chain support – brown





Pleated fabric **Cell range**

Pleated fabric with tubular cells

- Total darkness.
- Thermal insulation.





> Fit-Pleat

FEATURES

BENEFITS

For windows and glass doors

> The blind fits directly over the frame of the glass door or window.

With no need for screws for its installation.

> Thanks to the ultra resistant 3M adhesive tape, the headrail and channels adhere directly to the frame, making it unnecessary to perforate the surface.

Variety of fabrics available

> A solution for countless different situations, from darkening a room to generating the ideal filtration of light without losing visibility to the outside.

Shade > Fit-Pleat

OPTIONS AND TECHNICAL DATA



OPTIONS

1 INCLUDED IN THE PRICE

A1 Channels



Plastic handle



3M adhesive tape



PROFILE COLOR

○ White
RAL 9016

ⓘ All components provided will be matched according to the style criteria of Bandalux.

2 OPTIONS WITH NO ADDITIONAL CHARGE

PROFILE COLORS

○ Ivory
RAL 9001

● Grey
RAL 9006

● Brown
RAL 8019

● Metallic Grey
DB 703

ⓘ By default, Bandalux will provide the products in white, unless a different color is specified on the order form.



TECHNICAL DATA

1 MINIMUM AND MAXIMUM SIZES

BB 10



BB 30



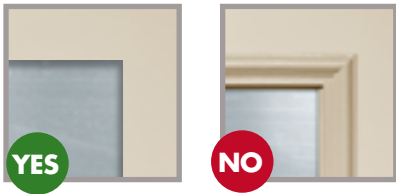
BB 31



Model	Operation	Shade width		Shade height		Surface	Tolerance
		Maximum	Minimum	Maximum	Minimum	Maximum	% (Width / Height)
BB10	HANDLE	1500mm	150mm	2200mm	100mm	3,3m ²	0,2% / 0,5%
BB30	HANDLE	1500mm	150mm	2200mm	100mm	3,3m ²	0,2% / 0,5%
BB31	HANDLE	1500mm	150mm	2200mm	100mm	3,3m ²	0,2% / 0,5%

3 SECTION AND HEIGHTS OF HEADRAILS, BOTTOM RAILS AND OPTIONS

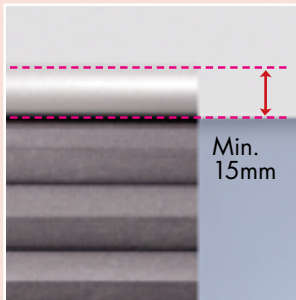
Headrail	Closure bottom rail	"A1" side channel	Middle profile (fabric seam)



INSTALLATION
ALLOWED

CHECKING THE MEASUREMENTS:
(Images intended to serve as examples only)

1 Min. height 15mm



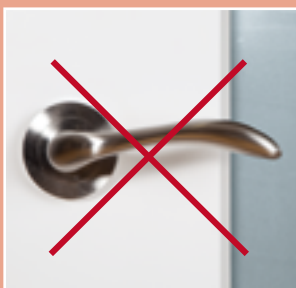
The height must be at least 15mm in the upper section, as measured from the molding upward (flat surface).

2 Minimum space 20mm



Minimum space 20mm between the doorknob and the start of the inner molding.

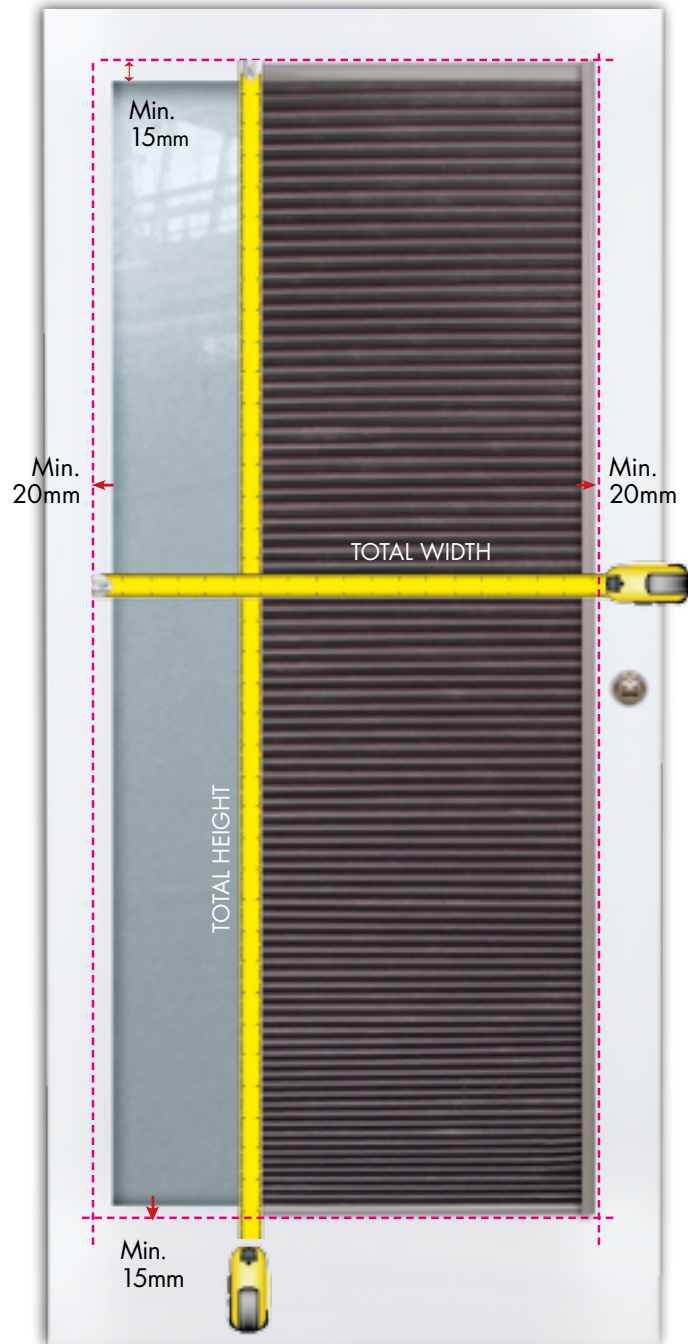
Not for use on doors with handles similar to those shown in the photo.



TAKING THE RIGHT MEASUREMENTS:



THE FIT-PLEAT SYSTEM CAN ONLY BE INSTALLED ON FLAT SURFACES, GLASS DOORS OR WINDOWS WITH STRAIGHT SIDES, FREE OF MOULDINGS AND HANDLES.



ORDER:

Bandalux will supply the shades with the measurements provided by the customer.



3 years
warranty

2 years
warranty

The warranty period is **2 years** for the Fit system and **3 years** for the Skylight system **from date of purchase** on original invoice.

WHAT IS COVERED

- ✓ **Materials.**
- ✓ **Systems and internal mechanisms.**
- ✓ **Components and brackets.**

WHAT IS NOT COVERED:

- . If the product has not been installed in accordance with the installation instructions.
- . Any conditions caused by normal wear and tear.
- . Accidents, misuse and/or alterations to the product.
- . Exposure to elements such as sun, wind, water and/or humidity and over time discoloration or fading.
- . Shipping charges, cost of removal and/or reinstallation.
- . Measurement variations of height and/or width of the blinds or shade of +/-0.2% or less.
- . Any treatment applied to the product, be it for washing or any other purpose that is not expressly recommended by Bandalux.
- . The proximity of the shades or blinds to abnormal heat sources and/or corrosive chemical that may alter the quality, appearance and presentation of the product, as well as functionality.
- . Damages due to consequences of natural disasters, and/or unforeseeable circumstances.